



# fittingstor™

Product code: FC2

- » Secure cabinet designed for storing fittings and materials.
- » Comes with two removable shelves and six storage bins (code FCB).
- » Heavy-duty doors with anti-jemmy protection.



## Product features



2x 5-lever deadlock



Forklift skids

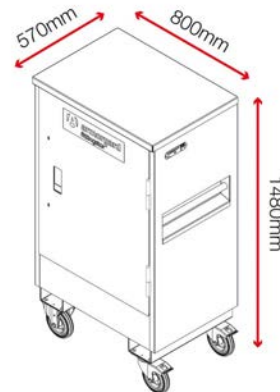


Suitable for site

## Product specifications

Weight	89kg
Colour	Black grey: RAL 7021
Suitable for	Site
Finished coating	Powder coated
Material & thickness	1.6mm and 2mm steel
Quantity of keys	3 keys
Suitable for vehicle mounting	No
How are castors fitted?	Quick-fix bolt on castor kit
Other sizes available	4 other sizes
Qty of shelves as standard	2

## Dimensions - External dimensions includes protrusions



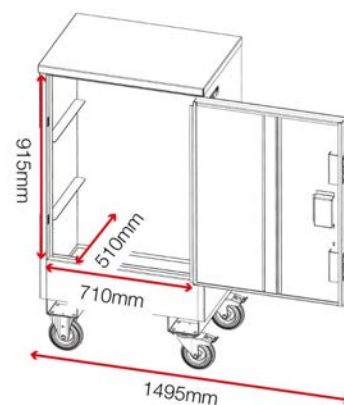
## Optional extras - Contact Armorgard to find out more



Fittings bins FCB



Shelf SHE-C2



Disclaimer: all dimensions and weights are approximate