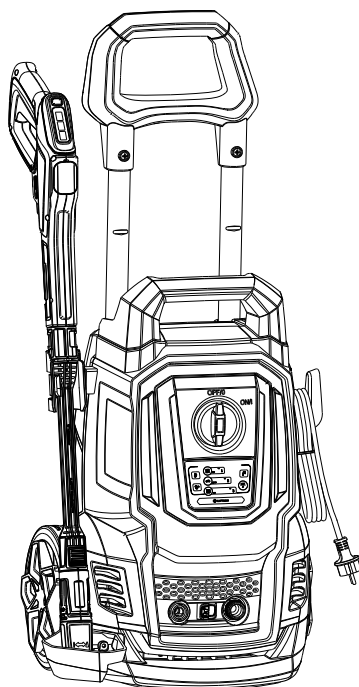


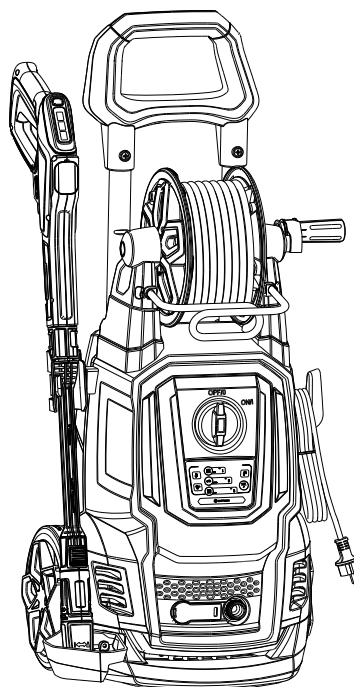
Owner's manual

HIGH PRESSURE CLEANER

LT707K-2000A/LT707K-2000B
LT707K-2200A/LT707K-2200B
LT707K-2400A/LT707K-2400B



A



B



WARNING: Do not use the appliance without reading the instruction sheet.

code: 707K210913-EN

Contents

<u>Section</u>	<u>Page</u>
Important Safety Precautions, Tips	2-4
Warnings, and Usage Instructions	4-6
Product brief introduction	7-10
Preparation o operation	11-13
Operating	14-15
Information for usage	16-18
Maintenance	19
Storage	20
Technical date	21
Trouble shooting	22
EC Declaration of Conformity	23

IMPORTANT SAFETY TIPS

Never point the high-pressure nozzle at people or animals.
Never drink alcohol or use drugs while operating the pressure cleaner.
Never operate the pressure cleaner while standing in water.
Never touch the electrical plug with wet hands.
Never let electrical connections rest in water.
Never operate pressure cleaner without the water turned on.
Never use hot water with this pressure cleaner.

The device is intended for domestic use and for commercial use indoors and outdoors.

IMPORTANT SAFETY PRECAUTIONS



WARNING: When using this product, basic precautions should always be followed, including the following:

- If the supply cord is damaged, it must be replaced by the manufacturer, its service agent or similarly qualified persons in order to avoid a hazard.

The machines must not be used by children. Children should be supervised to ensure that they do not play with the appliance.

For commercial use

This machine must not be used by persons (including children) with reduced physical, sensory or mental skills or lack of experience and knowledge.

Not for commercial use

This machine can be used by persons with reduced physical, sensory or mental abilities Or lack of experience and knowledge when they are supervised or safe Use of the machine and understand the resulting dangers.

Use suitable personal protective equipment (PSA) for high-pressure cleaners in operation, Eg safety shoes, protective gloves, protective visors, hearing protection, etc.,

Operation of the appliance;

Caution: Danger of recoil forces and the suddenly occurring torque on the nozzle when the spray gun is opened;



WARNING: This machine has been developed for the use of the detergent supplied or recommended by the manufacturer. The use of other cleaning agents or chemicals can affect the safety of the machine.



- **Warning:** High pressure jets can be dangerous if used improperly. The beam must not be directed at persons, active electrical equipment or on the machine itself.
- Do not use the appliance with people within its range of action unless they are wearing protective clothing.
- Do not point the jet at yourself or others to clean clothing or footwear.

- Disconnect the power supply before carrying out maintenance by the user.
- High pressure cleaners must not be operated by children or unskilled persons.
- To ensure the machine safety, only original spare parts from the manufacturer or use spare parts approved by the manufacturer.
- Do not use the appliance if a power cable or important parts of the appliance are damaged, e.g. Safety devices, high pressure hoses, spray gun.
- If the extension cord is used, the plug and socket must be waterproof.



- **WARNING:** Unsuitable extension cables can be dangerous, if an extension cable is used, it must be suitable for outdoor use, and the connection must be kept dry and off the ground. Use of a power cable reel which keeps the socket at least 60mm above the ground is strongly recommended.
- Switch the appliance off and disconnect it from the power supply before assembly, cleaning, adjustments, maintenance, storage and transportation.
- The electric supply connection must be made by a qualified electrician and comply with IEC 60364-1. Either a residual current device that will cut off the power supply if the leakage current to earth exceeds 30 mA for 30 ms or a ground fault interrupt device must be installed.
- **WARNING:** Do not use the machine if a connecting cable or important parts of the machine are damaged, Eg safety devices, high pressure hoses, spray gun.
The machines are not suitable for connection to portable water pipes. Connect the machine to the water supply.
- Use the device on a flat surface.
- For security reasons, make sure you have a three-month control and maintenance. Before use, make sure that the filter and the nozzle. Make sure there is no contamination. After use, make sure there is no water in the pump and hose.
- overload protection:
When the nozzle is stuffed or the high pressure hose is knotted, the overload protection function automatically and the machine is switched off.
After solving the fault, turn the switch back on and turn the machine back on.

1.	Read all instructions before using the product. Save all safety instructions.
2.	Do not operate the pressure cleaner when fatigued or under the influence of alcohol or drugs.
3.	Risk of injection or injury – do not direct the high pressure water stream at any people or animals.
4.	Do not allow children to operate the pressure cleaner at any time.
5.	To reduce the risk of injury, close supervision is necessary when the pressure cleaner is used near children.
6.	Know how to stop the unit and reduce pressure immediately. Be completely familiar with the controls.
7.	Stay alert – always be aware of where you are directing the high pressure spray
8.	Keep cleaning area clear of all people.
9.	Keep good footing and balance at all times – do not overreach or stand on an unstable support.
10.	The work area should have adequate drainage to reduce the possibility of a fall due to slippery surfaces.
11.	Follow the maintenance instructions specified in the manual.
12.	To reduce the risk of electrocution, keep all connections dry and off the ground. Do not touch plug with wet hands.
13.	Adequate information about the nozzle to be used, the danger of the kickback force and the sudden torque on the spray assembly when opening the trigger gun
14.	It is recommended that the electric supply to this machine should include either a residual current device that will interrupt the supply if the leakage current to earth exceeds 30 mA for 30 ms or a device that will prove the earth circuit
15.	WARNING Do not use the machine within range of persons unless they wear protective clothing
16.	WARNING Risk of explosion – Do not spray flammable liquids

17.	WARNING High pressure hoses, fittings and couplings are important for the safety of the machine. Use only hoses, fittings and couplings recommended by the manufacturer.
18.	Water that has flowed through a backflow preventer is considered non-potable.

GENERAL SAFETY PRECAUTIONS

1.	Intended for outdoor and household use only.
2.	High-pressure hose can develop leaks from wear, abuse, kinking etc. Do not use a damaged hose.
3.	Do not use the pressure cleaner in areas near combustible materials, combustible fumes, or dust.
4.	Some chemicals or detergents may be harmful if inhaled or ingested causing severe injury. Use a respirator or mask whenever there is a chance that vapors may be inhaled. Read all instructions included with the mask so you are certain the mask will provide the necessary protection against inhaling harmful vapors.
5.	Before starting the pressure cleaner in cold weather, check all of the parts of the equipment and be sure that ice has not formed. Do not store the unit anywhere that the temperature will fall below 0°C (32°F).
6.	DO NOT MAKE ANY MODIFICATIONS TO ANY OF THE COMPONENTS! Units with broken or missing parts, or without the protective housing or covers should NEVER be operated
7.	Keep the high-pressure hose connected to the pressure cleaner and the spray gun while the system is pressurized. Disconnecting the hose while the unit is pressurized is dangerous, and may cause injury.
8.	Always turn off the power disconnect or when the machine is left unattended.
9.	Keep water spray away from electrical wiring or fatal electric shock may result.
10.	Must be connected to the water supply before use, then open gun trigger and open the cleaner switch.
11.	After the machine long-stalled again before use, please dial the few motor power is in the state of the impeller, and then start the machine according to operation instruction

SYMBOLS

The labels on your tools and manual may show symbols. These represent important information about the product or instruction on its use.



Indicates a potential personal injury hazard.



In accordance with European directives applicable to this product.



Double-insulated construction



Do not expose to rain or use in damp locations.



To reduce the risk of injury, user must read and understand owner's manual before using this product.



Always wear safety goggles or safety glasses with side shields and, as necessary, A full face shield when operating this product.



Use a respirator or mask whenever there is a chance that vapors may be inhaled.



To reduce the risk of injection or injury, never direct a water stream towards people or pets or place any body part in the stream. Leaking hoses and fittings are also capable of causing injection injury. Do not hold hoses or fittings.



To reduce the risk of injury from kickback, hold the spray lance securely with both hands when the machine is on.



Failure to use in dry conditions and to observe safe practices can result in electric shock.



Warning! Never point the gun to human, animals, the machine body, power supply or any electric appliances



Machine not intended to be connected to the potable water mains



Waste electrical products should not be disposed of with household waste, please recycle where facilities exist. Check with your local authority or retailer for recycling advice.



Recycle unwanted materials instead of disposing of them as waste. All tools, hoses and packaging should be sorted, taken to the local recycling centre and disposed of in an environmentally safe way.

SERVICING OF A DOUBLE-INSULATED APPLIANCE

In a double-insulated product, two systems of insulation are provided instead of grounding. No means of grounding is provided on a double - insulated product, nor should a means for grounding be added to the product. Servicing a double-insulated product requires extreme care and knowledge of the system, and should be done only by qualified service personnel. Replacement parts for a double-insulated product must be identical to the parts they replace. A double-insulated product is marked with the words “ DOUBLE INSULATION ” or “ DOUBLE INSULATED ”. Product may also be marked with symbol shown below.



USE OF EXTENSION CORDS

Use of an extension cord with this product is NOT RECOMMENDED. If you must use an extension cord, use only extension cords that are intended for outdoor use. These cords are identified by a marking “ACCEPTABLE FOR USE WITH OUTDOOR APPLIANCES, STORE INDOORS WHILE NOT IN USE.” Use only extension cords having an electrical rating not less than the rating of the product. Examine extension cord before use. DO NOT USE DAMAGED EXTENSION CORDS! Do not pull on cord to disconnect from receptacle, always disconnect by pulling on plug. Keep cord away from heat and sharp edges. Always disconnect the extension cord from the receptacle before disconnecting the product from the extension cord.

WARNING – To reduce the risk of electrocution, keep all connections dry and off the ground. Do not touch the plug with wet hands.

PROPER USE OF THE PRESSURE CLEANER

***THIS UNIT IS INTENDED FOR USE WITH COLD WATER ONLY!
DO NOT USE HOT WATER IN THIS PRESSURE CLEANER.***

1.	Operate the pressure cleaner at no more than the fluid pressure rated for the pressure cleaner. Never run the pressure cleaner without a water supply. Running the unit without a water supply will cause irreparable damage to the unit.
2.	Make sure that the water supply you use for the pressure cleaner is not dirty, sandy, and does not hold any corrosive chemical products. Using a dirty water supply will compromise the long life of the pressure cleaner.
3.	CAUTION - The pressure cleaner can be used for a variety of applications including washing cars, boats, patios, decks, garages etc. where high pressure is necessary to remove dirt and debris. High-pressure water flow can damage the work surface if not used properly! See the section titled “Operating Instructions” for more details. Always test the spray in an open area first.
4.	NEVER move the unit by pulling on the high pressure hose. Use the handle provided on the top of the unit.
5.	Always hold the high pressure gun and wand with two hands. Keep one hand on the gun/trigger, while supporting the wand with the other hand (see diagram).
6.	When dispensing detergent, the pressure cleaner applies detergent to the cleaning area at low pressure only. Once the detergent has been applied, spray the detergent off of the work area by using the adjustable nozzle.

Product Brief Introduction

The way to open the packing

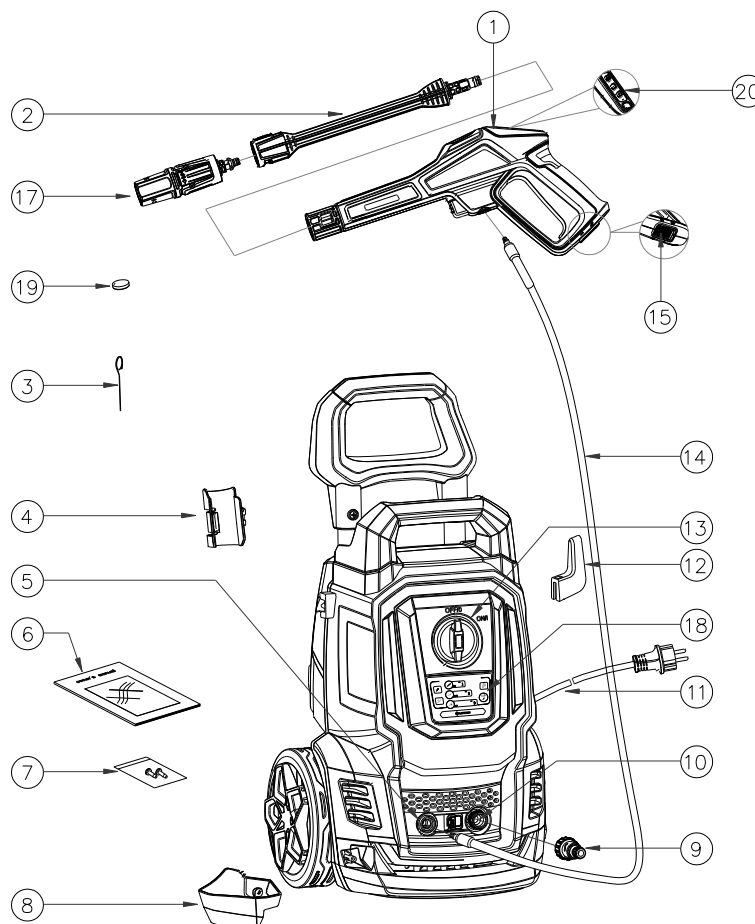
Open the package, take all accessories, documents and the cleaner out of the box. Please keep the outer packing for future transportation of maintenance.

Name of all parts

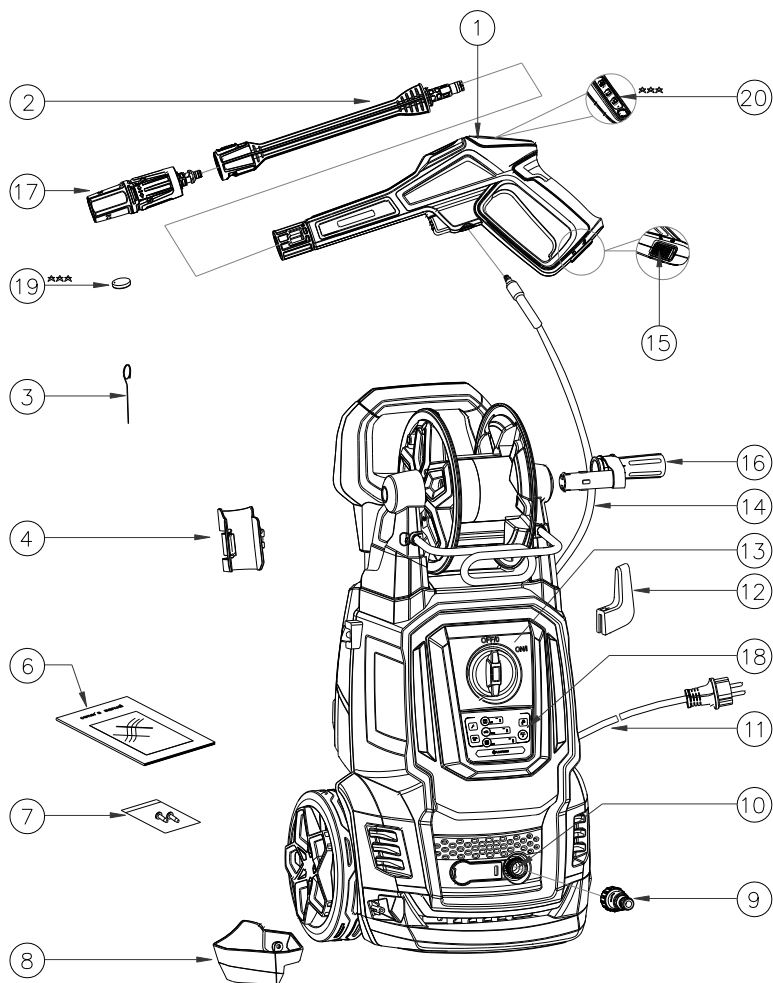
All accessories are subject to the real objects. The following pictures and text are only used for installation instructions.

Name of all parts:

- | | | |
|----------------------|---------------------------------------|-------------------------------|
| 1. Trigger gun | 2. lance | 3. Cleaning pin |
| 4. Gun holder | 5. Water outlet pipe | 6. Manual |
| 7. Screws package | 8. Gun saddle | 9. Water inlet connector |
| 10. Water inlet pipe | 11. Power cord | 12. Power Cable Hook |
| 13. ON/OFF switch | 14. High pressure hose | 15. Lock-off switch |
| 16. Hose reel handle | 17. Quick nozzle | 18. Host control panel switch |
| 19. Battery | 20. Trigger gun remote control switch | |



Model: LT707K-A



Model: LT707K-B

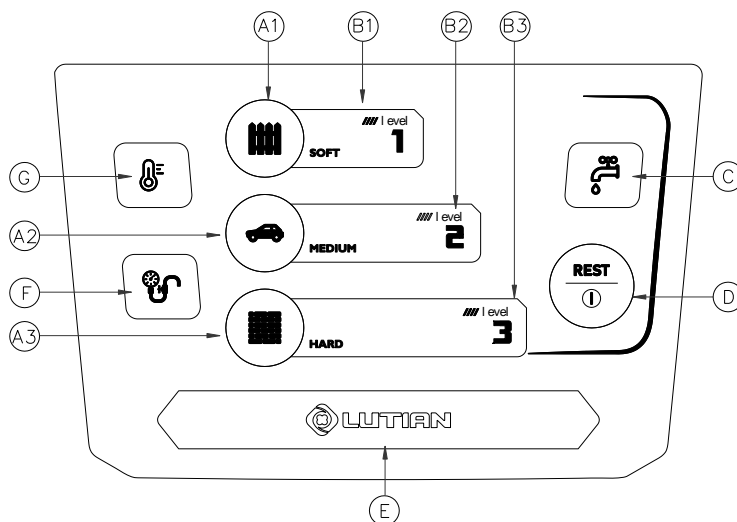
Remarks:

Model LT707K-A: Without hose reel,
 Model LT707K-B: With hose reel.

The machine is always with handle to transport.

Host control panel switch

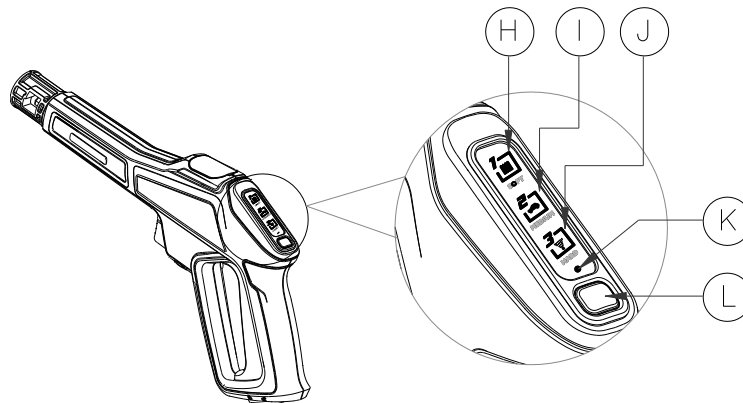
The control switches are marked as shown in the figure below, and their functions are described in detail on the following pages.



Item.	Features
A1. Level 1# button	1. Set working level button 2. Wireless pairing mode button (long press Level 1# button and Level 3# button at the same time for 2 seconds). 3. Exit wireless pairing mode button (long press one button for 2 seconds).
A2. Level 2# button	
A3. Level 3# button	
B1. Level 1 indicator	The indicator light shows the current level
B2. Level 2 indicator	
B3. Level 3 indicator	
C. Water shortage warning indicator	1. The indicator light is red : the water supply is insufficient or unstable, and the motor stops running. 2. The indicator light is green: the water supply is stable.
D. Multi - function button	Run/pause/reset
E. Running indicator	1. The indicator light is on : the machine is operating normally 2. The indicator light is off : the machine stops running 3. The indicator light flashes : the machine is in wireless pairing mode
F. Holding pressure indicator	The indicator light is on, and the pump is in a pressure-holding state
G. Over temperature warning indicator	1. The motor temperature is normal and the indicator light is green. 2. When the motor temperature exceeds the safe value, the indicator light turns red and the motor stops running.

Trigger gun remote control switch

The remote control switches are marked as shown in the figure below, and their functions are described in detail on the following pages.



Item.	Features
H. Level 1 indicator	After switching the gear on the remote control, the indicator shows the currently set gear, and then the indicator goes out.
I. Level 2 indicator	
J. Level 3 indicator	
K. Status indicator	<ol style="list-style-type: none"> 1. The status indicator flashes quickly in pairing mode. 2. The status indicator is off when successfully paired with the host. 3. The status indicator flashes 3 times slowly when the battery is low, indicating that the battery needs to be replaced.
L. Multi-function button	<ol style="list-style-type: none"> 1. Switch working level button 2. Wireless pairing mode button 3. Exit wireless pairing mode button

PREPARATION OF OPERATION

HOW TO SET UP YOUR UNIT

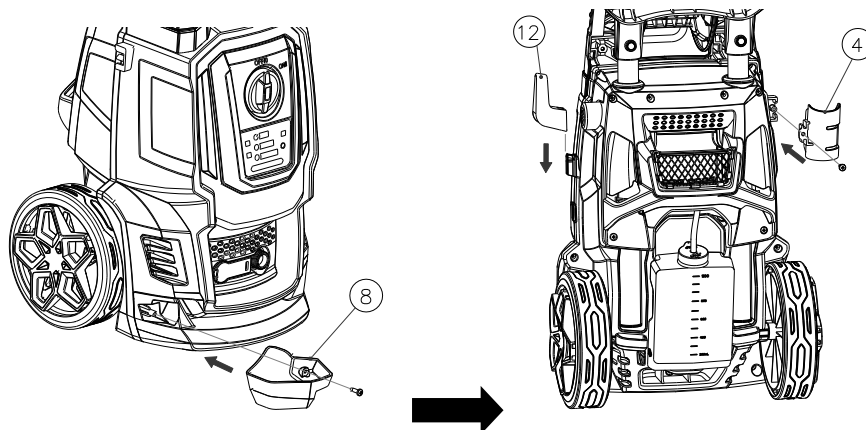
1. Mount the gun saddle , gun holder and power cable hook.

Screw the gun saddle (8) tight to the main body (1 screw) .

Screw the gun holder (4) tight to the main body (1 screw) .

Install power cable hook (12) to the main body.

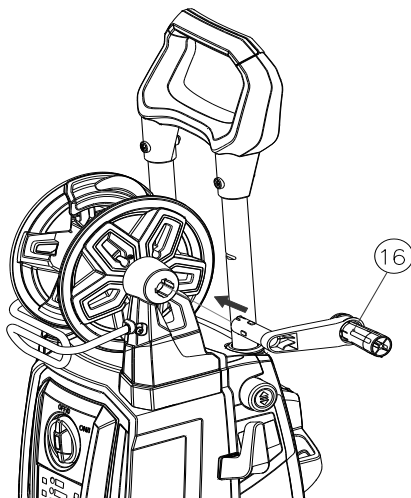
Note: The screws will be packed together with the manual, pls kindly check and find it when unpacked.



2. Mounting of hose reel handle.(only models LT704K-B)

Install hose reel handle (16) to hose reel with a “click”.

Note: When attaching, align the projections on the hose reel handle with the grooves on the hose reel.



3. Installation the battery into the trigger gun (Only models with wireless remote control)

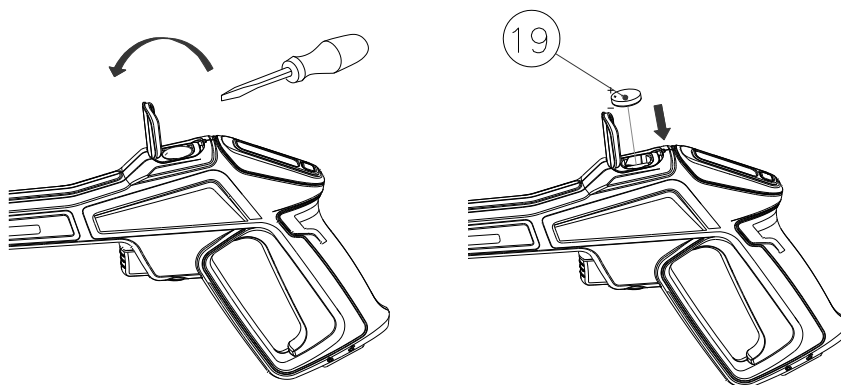
Open the battery cover of the trigger gun with a tool, put the battery (CR2450/3V) into the battery slot of the gun, and then cover the battery cover back to its original position.

Press the multi - function button on the remote control of the spray gun and check whether the status indicator flashes quickly. If it does not flash or flashes slowly 3 times, the battery needs to be replaced.

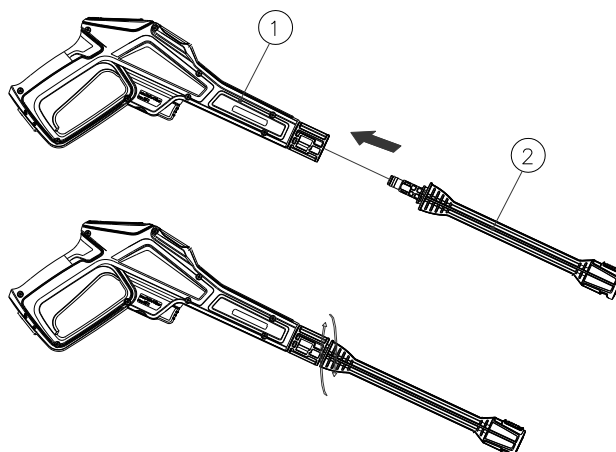
Note: Please make sure that the battery's positive and negative directions are placed in the correct direction, with the positive side facing upwards.

Note: When using the remote control board to operate the machine, the battery model recommended by the manufacturer must be used.

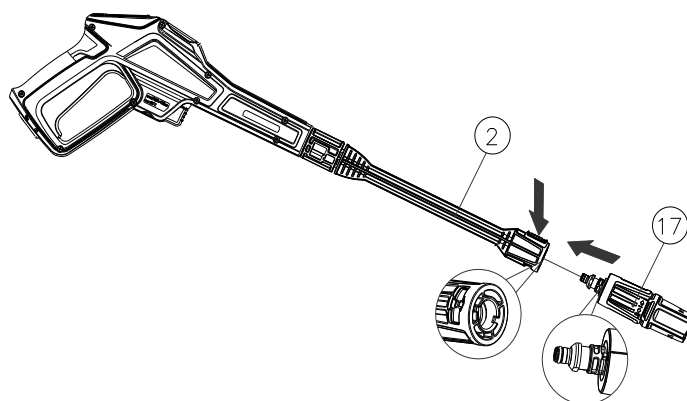
Note: The battery will be packed together with the manual, pls kindly check and find it when unpacked.



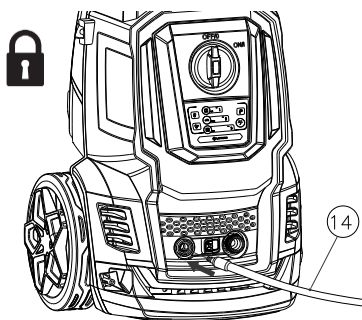
4. Attach the lance into the trigger gun .
 Push the lance (2) into the trigger gun (1) and fasten it by turning it through 90° .
 When the pieces are joined properly, you cannot separate the two components by pulling straight out on the lance. All attachments must be inserted into the gun for proper use.



5. Attach quick nozzle to the lance
 When attaching, align the projection on the quick nozzle (17) with the groove on the lance (2) with the button held.

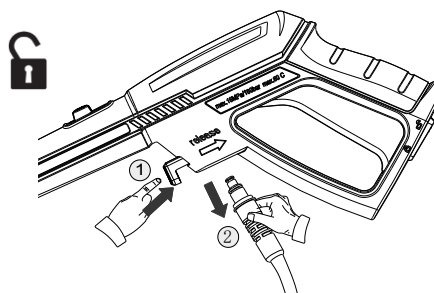
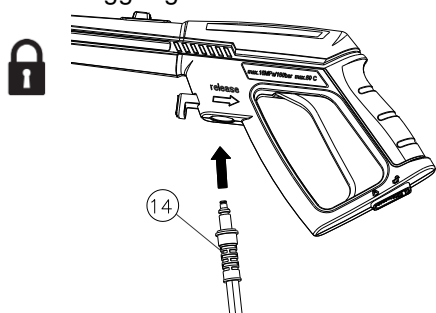


6. Attach & detach the high pressure hose
 Attach one end of the high pressure hose to the pressure water outlet pipe of the machine.
 (only models LT707K-A)



Push button to remove the hose

Unwind the high pressure hose completely and attach the other end of the high pressure hose to the trigger gun .



Push button to remove the hose

Note: After the high pressure hose is connected, check the connection by gently pulling on the hose to ensure it stays connected. Push the lock button and pull to detach the high pressure hose.

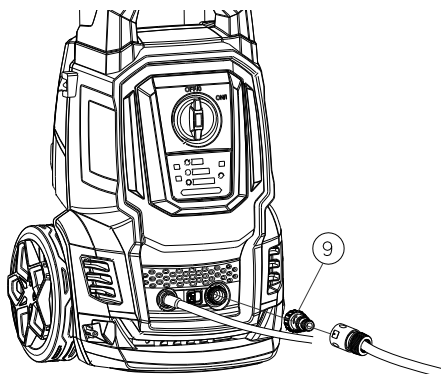
Note: For detaching the hose easily, please pull the trigger to drain water from trigger gun when operation is completed and switch is in “ OFF/O ” position.

7. Attach the garden hose

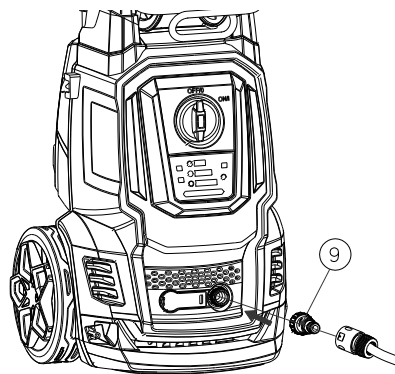
Remove the plastic plug from the water inlet pipe of the machine and screw the water inlet connector onto the water inlet pipe, then connect one end of the home garden hose (not supplied) to the water inlet connector and another end to water source.

WARNING:The appliance is INTENDED to be used at a temperature above 0 degree.

WARNING: Garden hose can not be damaged and leak, Inner diameter less than 1/2 "inches ,the length can not be greater than 8m.



LT707-A



LT707-B

8. Connect to the power supplier, Plug the pressure washer into the power outlet.

OPERATING



WARNING - DANGER!

During operation the appliance must be positioned on a firm, stable surface.
WARNING: High pressure hose must not loop.

Starting Up

1. Turn the water source on.

Squeeze the trigger about 1 minute until low pressure water flow out to empty air out of the unit.

Warning: This unit is intended to be used with cold water only! Do not use hot water in this pressure cleaner!



2. Turn on the switch.

Turn the switch of the high pressure washer to the "ON/I" position, when the switch indicator (B1/B2/C/G) on the host control panel is green, press the multi-function button (D) to start up the machine, and the running indicator light is on.

Warning: When the indicator light is not bright or other colors, please contact the manufacturer and the local maintenance organization.



3. Select the right level

Select the suitable level for different cleaning jobs.

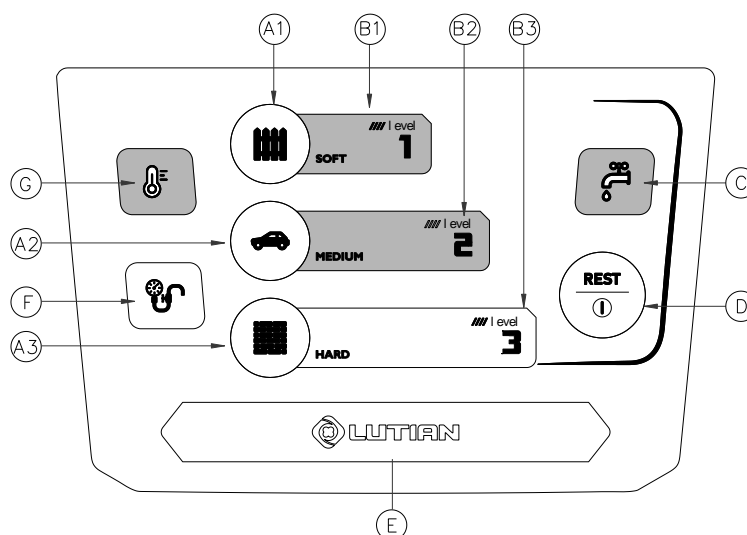
3.1 Host control panel switch operation

A. Press the level 1# button (A1), and the level 1 indicator (B1) will be on, which is suitable for cleaning fences, cement terraces, stones, bricks, etc.

B. Press the level 2# button (A2), and the level 1 and level 2 indicator (B1/B2) will be on, which is suitable for cleaning car, boats, and motorcycles, etc.

C. Press the level 3# button (A3), and the level 1, level 2 and level 3 indicator (B1/B2/B3) will be on, which is suitable for cleaning barbecue grills, power equipment, and garden tools, etc.

Note: The default level is level 2 after start.

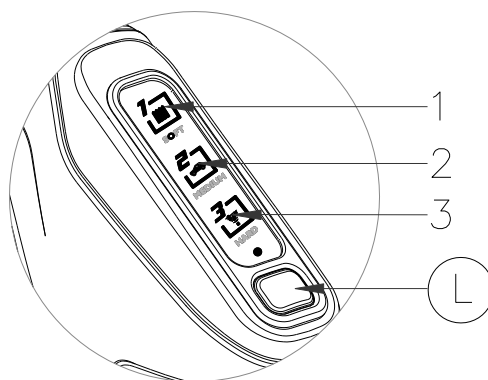


3.2 Trigger gun remote control board operation

When the host is successfully paired, lightly press the multi-function button (L) to switch the levels, the level switching sequence is 1-2-3-1. When the level are switched, the level indicator shows the currently set level, and then the indicator goes out.

Note: The default level is level 2 after start.

Note: The adjustable control range of the remote control is within 10m. Try to avoid interference signals between the host and the remote control when pairing.



4. Cleaning

Squeeze the trigger, high pressure water flow will come out. You could rotate Adjustable nozzle collar to change it from a full fan spray (diagram 1) to a direct stream spray (diagram 2).

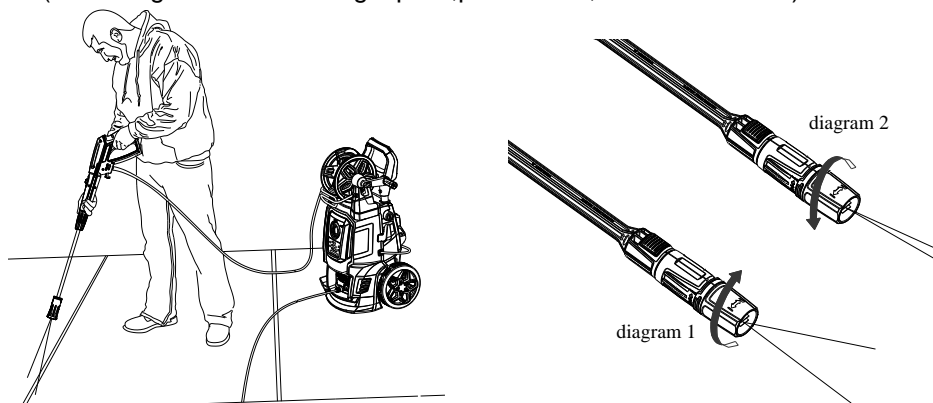
The water shortage warning light (C) will be red and flashing, and the motor will stop running, when there is water shortage or water flow is unstable. Please check if the water source is connected and turned on.

Warning: Before pressing trigger, make sure lock-off switch is in "unlock" position.

Warning: When operating the machine, it is forbidden to use in the inverted state.

Note: Begin with the nozzle 1-2ft away from the surface and approach with caution until it reaches the desired position for overly close spray may do harm to surface.

Warning: Do not connect the machine to water supplies that are dirty, rusty, muddy, or corrosive. (Including window cleaning liquids, plant foods, or fertilizers etc.)



5. Release the trigger and turn off the multi-function button on the main unit or the trigger gun, after the cleaning work is completed, and turn the switch to the "OFF/O" position, then turn off the water supply.

Note: When not in use, make sure Lock-off switch is in "Lock" position.


Note: When the pump is still in the pressure-holding state after shutdown, the pressure-holding indicator (F) will flash slowly until the power is exhausted. A gun needs to be fired to release the water pressure in the water pump.

6. Unplug the power cord from the power outlet.

WARNING: Check that the supply voltage and frequency correspond to those specified on the appliance data plate. The appliance should only be connected to a mains power supply via a security breaker (Max.30mA) to cut off the electricity supply in the instance of a short circuit.

INFORMATION FOR USAGE

1. Safety valve and/or pressure limiting valve

 **Warning-danger!**
Do not tamper with or adjust the safety valve setting.

The safety valve is also a pressure limiting valve. When the gun trigger is released, the valve opens, pressure switch action, the machine automatically shut down. .
If the gun nozzle is blocked, will cause the machine pressure rises, the safety valve opens, the pressure switch action, the machine automatically shut down, you can refer to the following to use a needle to clean the nozzle.

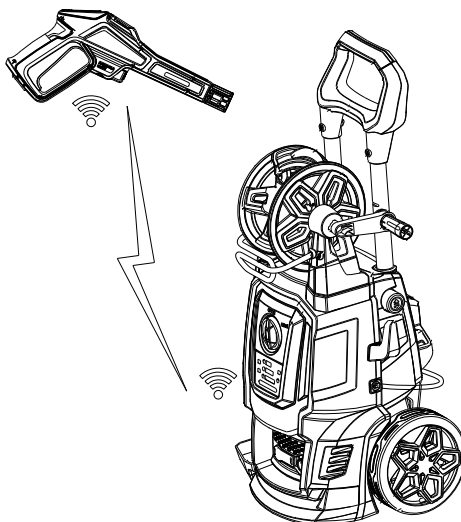
2. Wireless pairing

Machine configuration wireless remote control configuration function.

2.1 Machine: long press Level 1# button and Level 3# button at the same time for 2 seconds to enter wireless pairing. In pairing mode, the indicator light flashes slowly, long press one button for 2 seconds to exit pairing.

2.2 Remote control: long press multi - function button for 5 seconds to enter pairing mode, the indicator light flashes fast. If the pairing is successful, the indicator light goes off, and the level indicator light will show the current machine level; if the pairing fails, the machine will exit pairing mode after 10 seconds. You can also press the multi - function button for 2 seconds to manually exit the pairing mode.

2.3 After successfully paired, the machine will only be controlled by the paired remote control.



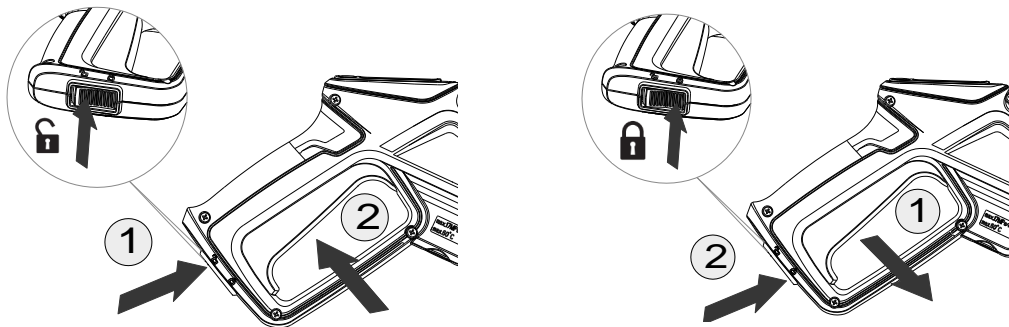
3. Bleeding the Gun

It is very important to bleed the gun before using the pressure cleaner. Refer to the “Assembly Instructions” to assemble the pressure cleaner. To bleed the gun, simply connect the garden hose to the pressure cleaner and squeeze the trigger BEFORE turning the electrical supply on. This allows any air trapped inside the pressure cleaner and gun to be removed before using the unit. Continue holding trigger for approximately one minute to allow any excess air out of the unit. Water will flow through the gun at low pressure during this procedure. For more bleeding tips, see the section titled “Operating Instructions.”

4. The safety button of trigger gun

The operator need press the unlock button and then actuate the trigger to do the spray operation. When you release the trigger, it can return to the off position automatically.

When not using the pressure cleaner, press the lock button to keep from accidentally engaging the high pressure spray.

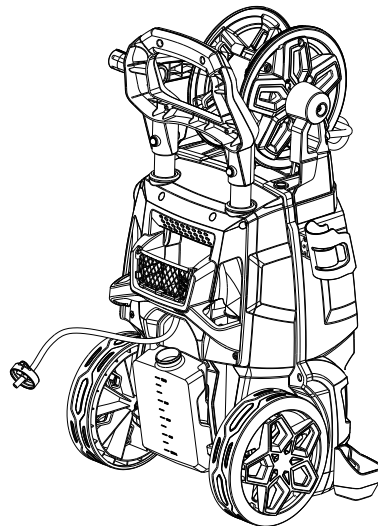


5. Hold the gun

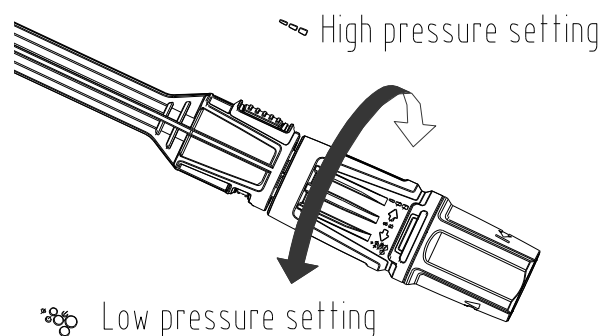
Whenever you use the high pressure washer, we suggest you grip the in the right position, with one hand on the handle and the other on the adjustable spray nozzle.

6. To wash with detergent

1) Unscrew the cap on the detergent bottle and fadd appropriate detergent. Then screw the soap tank knob.



2) Rotate the High/Low pressure nozzle into low pressure mode.

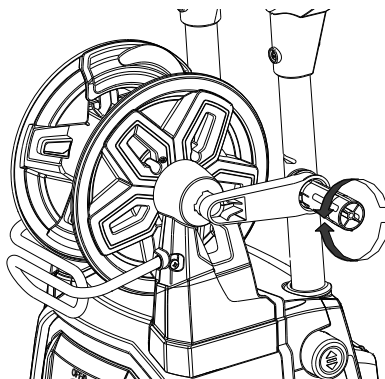


- 3) Squeezel the trigger, detergent will come out through the adjustable nozzle.
- 4) Apply detergent so it thoroughly covers cleaning surface.
- 5) Allow detergent to remain on the surface for few minutes, this is a good time to use a brush to lightly scrub heavily soiled areas.
- 6) Set the adjustable nozzle into high pressure mode.

7. Use the hose reel (only models LT707K-B)

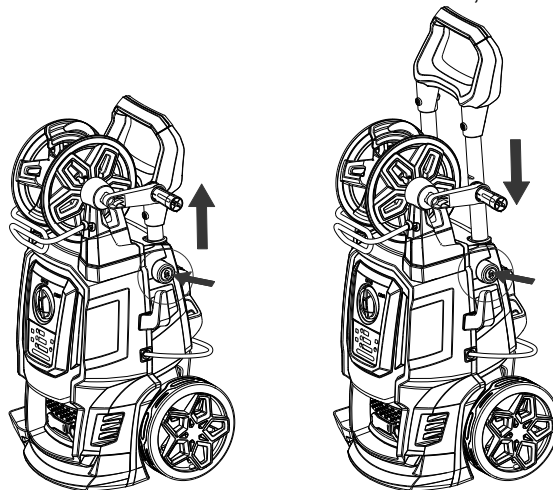
To unwind the hose, turn hose reel handle clockwise, to wind the hose, turn hose reel handle counter clockwise.

Note : Pull the hose reel handle out and uncoil hose from the hose reel before use.



8. Telescopic handle

The machine features a telescopic handle. To raise or lower the handle, press the button and move the handle upwards or downwards. When a click is heard, the handle is in right position.



MAINTENANCE

Any maintenance operations not covered by this chapter should be carried out by an Authorized sales and service centre.

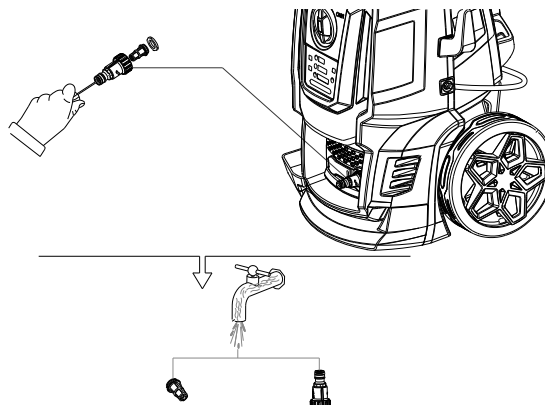


Warning-danger!

Always disconnect the plug from the power socket before carrying out any work on the appliance.

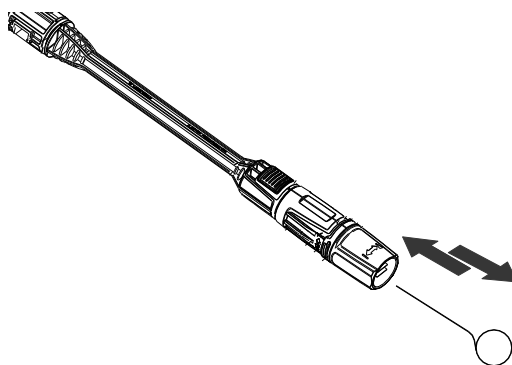
1. Cleaning of water inlet filter

The water filter was installed inside the water inlet connector, should be cleaned periodically. Rinse it with clean tap water, and then place it back into the water inlet connector .



2. Cleaning the nozzle

Using the nozzle tip cleaner provided (or an unfold paper clip) ,insert the wire into the nozzle hole and move back and forth until debris is dislodged . Flush the nozzle backwards with water.



3. Cleaning of machine vents

The machine should be kept clean so as to let cooling air pass freely through the machine vents.

4. Greasing or couplings

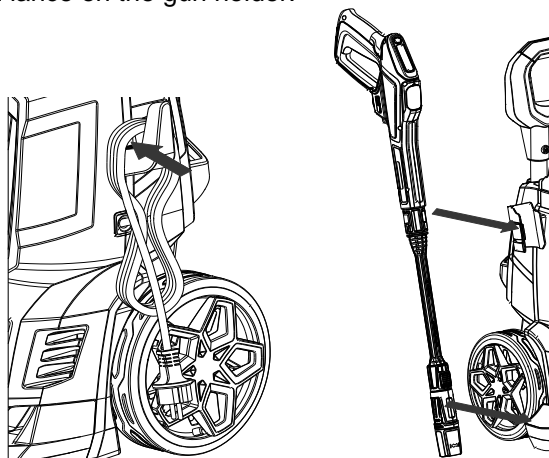
To ensure easy connection and that o-ring do not dry up, the couplings should be greased regularly.

STORAGE

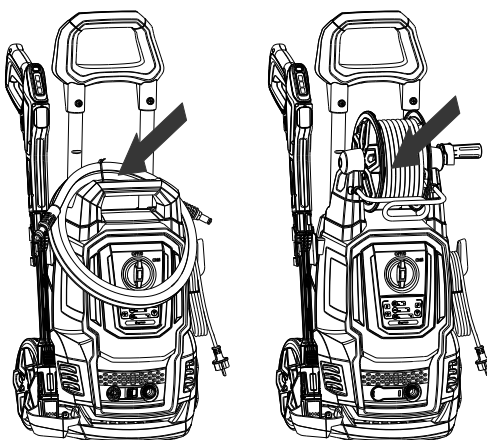
The machine should be stored in a frost-free area with a temperature above 0°C (32°F)

Pump, hose and accessories should always be emptied of water prior to storing as follows:

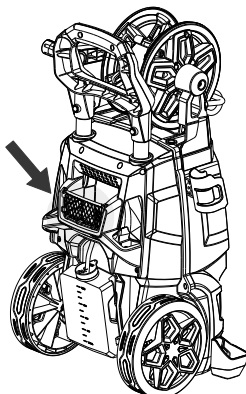
- 1) Stop the machine (turn the ON/OFF switch to position "OFF/O") and detach water hose and accessory.
- 2) Restart the machine and activate the trigger. Let the machine run until no more water runs through the spray handle.
- 3) Stop the machine and unplug, coil up the power cord and placed it on the power cable hook.
- 4) Place gun and lance on the gun holder.



- 5) Machine without hose reel: hang the high pressure hose on the short handle;
Machine with hose reel: coil the high pressure hose on the hose reel.



- 6) Place small accessories (eg : connector) in the storage space on the back of the machine.



TECHNICAL DATA

Model	LT707K-2000A LT707K-2200B	LT707K-2200A LT707K-2200B	LT707K-2400A LT707K-2400B
Rated voltage	CE: AC 220-240V~50/60Hz. CB: AC 220-240V~50/60Hz		
Rated power	2000 W	2200 W	2400 W
Rated pressure	110 bar	120 bar	130 bar
Max. pressure	160 bar	170 bar	180 bar
Rated flow	6.5 L/min	6.5 L/min	6.5 L/min
Max.flow	7.5 L/min	7.5 L/min	7.5 L/min
Max. water inlet pressure	12 bar		
Max. water inlet temperature	50°C		
Sound pressure level(K=3dB(A)):LpA	74.6 dB(A)		
Sound power level(K=3dB(A)):LwA	88.3 dB(A)		
Vibration value(K=1.5m/s ²)	≤2.5m/s ²		
Weight	12.2 kg(A) 12.6 kg(B)	12.5 kg(A) 12.9 kg(B)	12.8 kg(A) 13.2 kg(B)

GUARANTEE

Refer to the enclosed guarantee conditions for the terms and conditions of guarantee.

ENVIRONMENT

Should your machine need replacement after extended use, do not put it in the domestic waste but dispose of it in an environmentally safe way.



Do not dispose of electrical appliances in the household waste.

According to European Directive 2012/19 / EU on waste electrical and electronic equipment and transposition into national law, used electrical appliances must be collected separately and recycled in an environmentally sound manner.

Recycling alternative to the return request:

The owner of the electrical appliance is alternatively obliged to participate in the proper utilization in the case of the property task instead of return. The old device can also be left to a collection point, which carries out an elimination in the sense of the national circular economy and waste law.

Not included are accessories and accessories without electrical components attached to old appliances.

TROUBLE SHOOTING

Please ensure that you check the following before contacting the service organization:

Symptom	Cause	Recommended action
Machine refuses to start	Machine not plugged in Defective socket Fuse has blown Defective extension cable	Plug in machine. Try another socket. Replace fuse, switch off other machines. Try without the extension cable.
Fluctuating pressure	Pump sucking air Valves dirty, worn out or stuck Pump seals worn out	Check that hoses and connections are airtight. Clean and replace or refer to local distributor. Clean and replace or refer to local distributor.
Machine stops suddenly	Fuse has blown Incorrect mains voltage Over temperature warning light is red Nozzle partially blocked Water shortage warning light is red	Replace fuse. Switch off other machines. Check that the mains voltage corresponds to specification on the model tag. Leave the washer for 5 minutes to cool down, press the Multi - function button on the panel switch to restart. Clean the nozzle. Check if the water source is connected and turned on, and if the water supply is sufficient
Fuse blows	Fuse too small	Change to an installation higher than the amp. Consumption of the machine. You may try without the extension cable.
Machine pulsating	Air in inlet hose/pump Nozzle partially blocked Water filter blocked Hose kinked	Allow machine to run with open trigger until regular working pressure resumes. Clean the nozzle. Clean the filter. Straighten out hose.
Machine starts, but no water comes out	Pump/hose or accessory frozen Water shortage warning light is red Water filter blocked Nozzle blocked	Wait for pump/hoses or accessory to thaw. Check if the water source is connected and turned on, and if the water supply is sufficient Clean the filter. Clean the nozzle.

In case problems other than the above occur, please contact your local distributor.

EC Declaration of Conformity

We hereby declare that the design, construction and the model for the device with the standard and the requirements of safety and health of the EU's consistent policy. The statement will prove ineffective if the device is being modified without our approval.

Type of instrument: Pressure Cleaner LT707K-2000A(B)、LT707K-2200A(B)、LT707K-2400A(B)

Anwendbare EU guidelines:

- EU Machinery Directive 2006/42/EC
- EU Low Voltage Directive 2014/35/EU
- EU Directive Electromagnetic Compatibility 2014/30/EC
- Noise & Vibration ISO 3744 & ISO5349

Measured sound power level: 88.3 dB

Guaranteed sound power level: 92 dB

Applied harmonized standards:

- EN60335-2-79: 2012
- EN 60335-1: 2012+A11:2014+A13:2017
- EN 55014-1:2006/A2:2011
- EN 55014-2:2015
- EN 61000-3-2:2014
- EN 61000-3-3:2013
- EN 62233:2008

Name and address of the person appointed to issue the technical file:

Luo Chang guo/ CHIAN LUTIAN MACHINERY CO.,LTD managing directors
No.1 Lutian road,Hengjie,Luqiao, Taizhou,Zhejiang,China