

Item	Part No.	Description
1	EWP050.01	Engine
2	EWP050.02	Pipe Clamp
3	EWP050.03	Fuel Pipe
4	EWP050.04	Connector
5	EWP050.05	Fuel Tank Cap
6	EWP050.06	Filter Cup
7	SFS625.S	Hex Head Flange Bolt M6 X 25
8	EWP050.08	Fuel Tank
9	EWP050.09	Pump Cover
10	FWM8.S	Flat Washer M8
11	EWP050.11	Washer, Black Plastic M8
12	SCB860.SB	Socket Cap Bolt M8 X 60mm Black
13	EWP050.13+14	Mechanical Seal Kit
15	EWP050.15	O-ring
16	EWP050.16	Water Pump Impeller
17	EWP050.17	Volute Casing

Item	Part No.	Description
18	EWP050.18	Rubber Bushing
19	EWP050.19	Pump Housing
20	SWM8.S	Spring Washer M8 Zinc
21	SS830.S	Hex Head Set Screw M8 X 30
22	SA51/13	O-ring
23	EWP050.23	Plug Packing
24	EWP050.24	Rubber Gasket, Square
25	SS825.S	Hex Head Set Screw M8 X 25
26	EWP050.26	Outlet Flange
27	EWP050.27	Rubber Washer, Thick M44
28	EWP050.28	Pipe Joint
29	EWP050.29	Joint Grip
30	EWP050.30	Check Valve
31	EWP050.31	Inlet Flange
32	EWP050.32	Filter Net

NOTE: It is our policy to continually improve products and as such we reserve the right to alter data, specifications and component parts without prior notice. There may be alternative versions of this product, please contact us should you require this information.

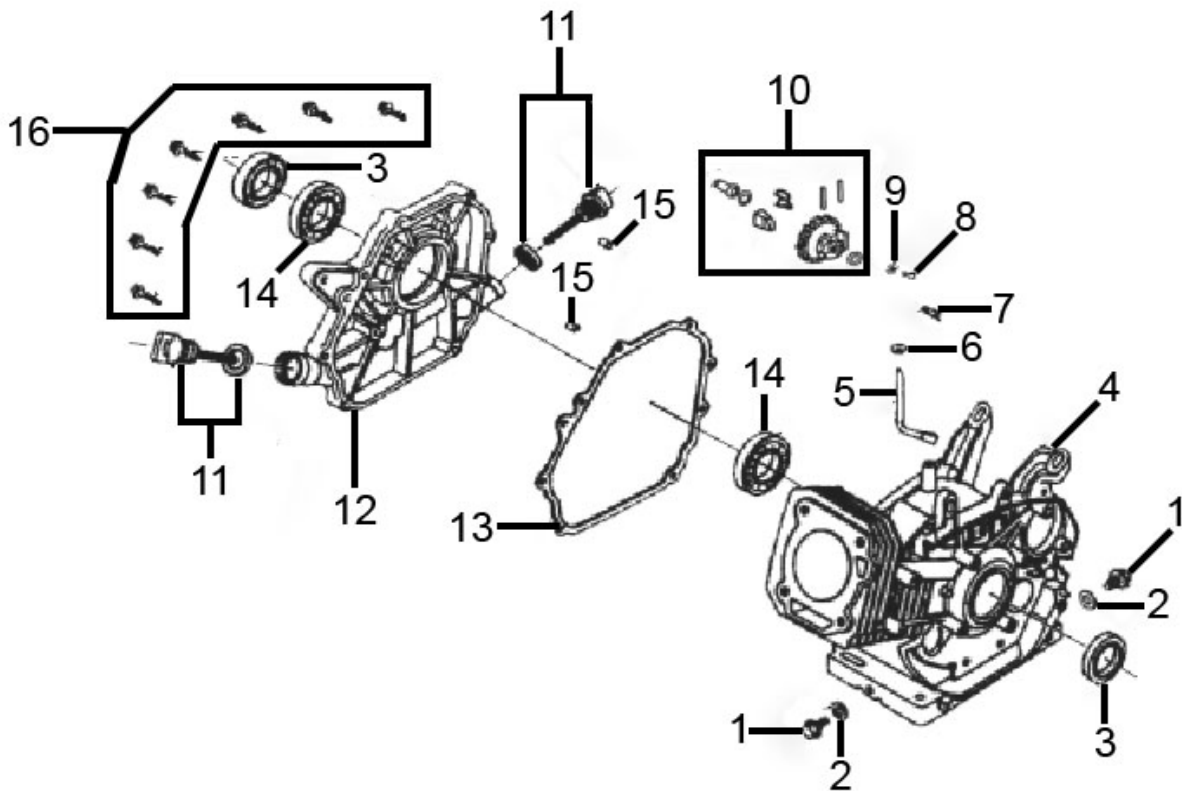
IMPORTANT: No liability is accepted for incorrect use of product. Spare parts must be fitted by a competent person

WARRANTY: Guarantee is 12 months from purchase date, proof of which will be required for any claim.

Parts Information: Water Pump Ø50mm 7.0hp Petrol Engine Model No: EWP050

Item	Part No.	Description
33	EWP050.33	Rear Housing
34	EWP050.34	Frame
35	EWP050.35	Shock Absorber
36	MSC614.S	CSk Phillips Machine Screw M6 X 14 Zinc
37	EWP050.37	Shock Absorber
38	FN6.S	Flange Nut Serrated M6

Item	Part No.	Description
39	SFS835.S	Hex Head Flange Bolt M8 X 35
40	FN8.S	Flange Nut Serrated M8
--	EWP050.19A	Pump Housing Assembly (Not Shown)
--	EWP050.33A	Rear Housing Clamp (Not Shown)
--	EWP050.41	Flange Bolt M8x35 (Not Shown)



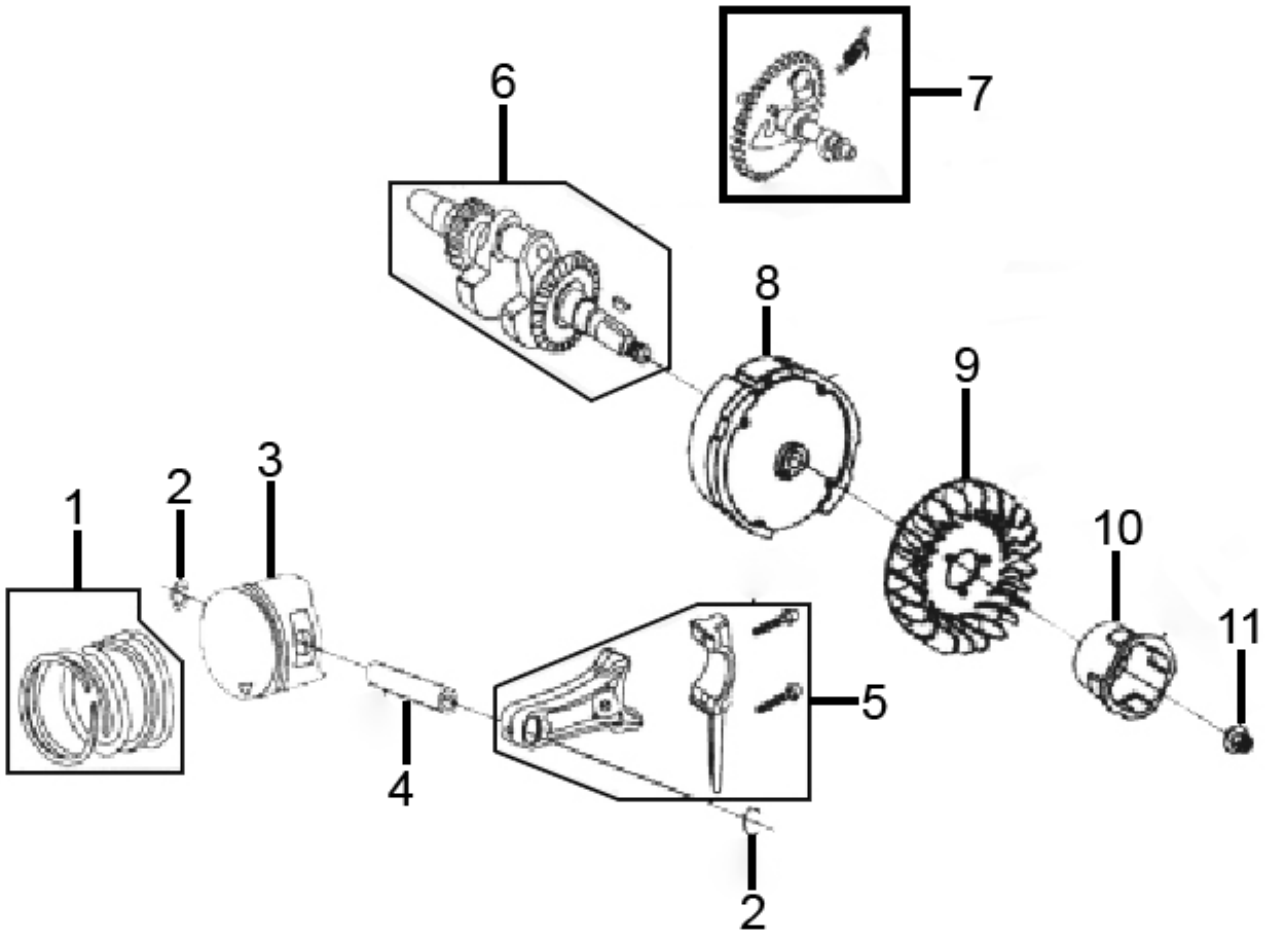
Item	Part No.	Description
1	EWP050.CC1	Drain Plug
2	EWP050.CC2	Copper Seal
3	EWP050.CC3	Oil Seal, Crankshaft
4	EWP050.CC4	Crankcase
5	EWP050.CC5	Regulating Sway Bar
6	SWM6.SB	Spring Washer M6 Black
7	EWP050.CC7	R-Clip
8	EWP050.CC8	Regulating Shaft

Item	Part No.	Description
9	EWP050.CC9	Snap Ring
10	EWP050.CC10	Driven Gear Assembly
11	EWP050.CC11	Dipstick (c/w Seal)
12	EWP050.CC12	Crankcase Cover
13	EWP050.CC13	Gasket, Crankcase
14	B/6205	Bearing 6205
15	EWP050.CC15	Set Pin
16	SFS834.S	Hex Head Flange Bolt M8 X 34

NOTE: It is our policy to continually improve products and as such we reserve the right to alter data, specifications and component parts without prior notice. There may be alternative versions of this product, please contact us should you require this information.

IMPORTANT: No liability is accepted for incorrect use of product. Spare parts must be fitted by a competent person

WARRANTY: Guarantee is 12 months from purchase date, proof of which will be required for any claim.



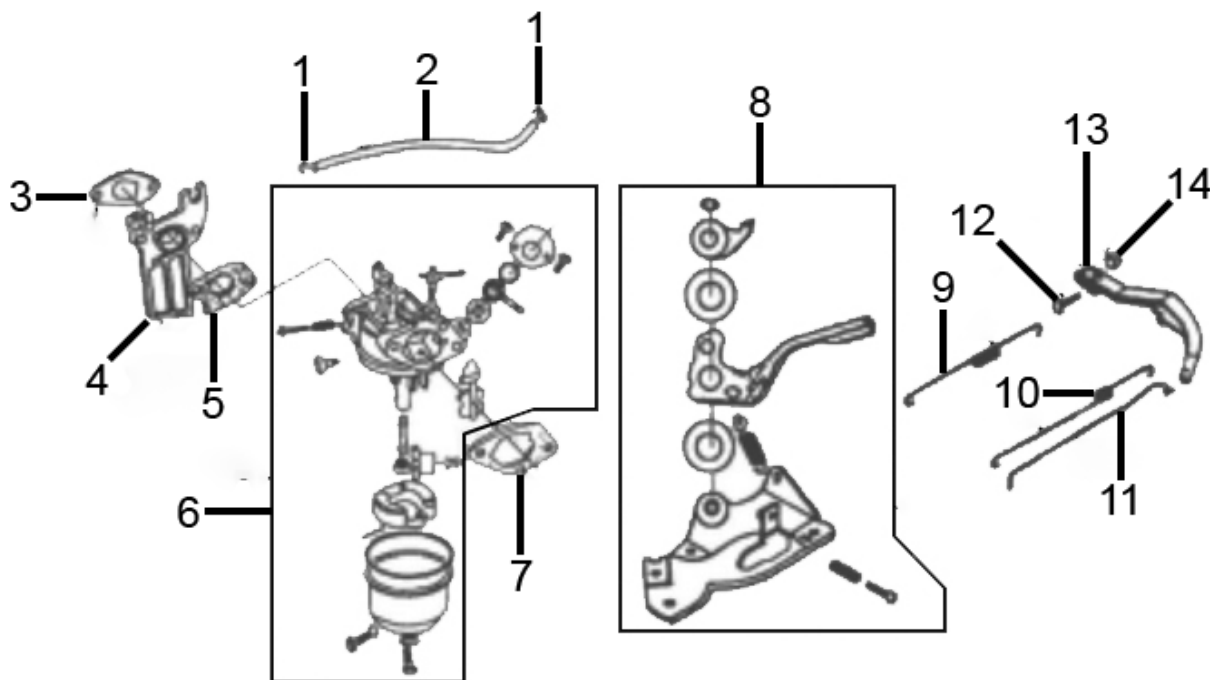
Item	Part No.	Description
1	EWP050.CS1	Piston Ring Set
2	EWP050.CS2	Piston Pin Circlip
3	EWP050.CS3	Piston
4	EWP050.CS4	Piston Pin
5	EWP050.CS5	Connect Rod Assembly
6	EWP050.CS6	Crankshaft Assembly

Item	Part No.	Description
7	EWP050.CS7	Camshaft Assembly
8	EWP050.CS8	Flywheel
9	EWP050.CS9	Flywheel Fan
10	EWP050.CS10	Starting Flange
11	SN14.S	Steel Nut M14

NOTE: It is our policy to continually improve products and as such we reserve the right to alter data, specifications and component parts without prior notice. There may be alternative versions of this product, please contact us should you require this information.

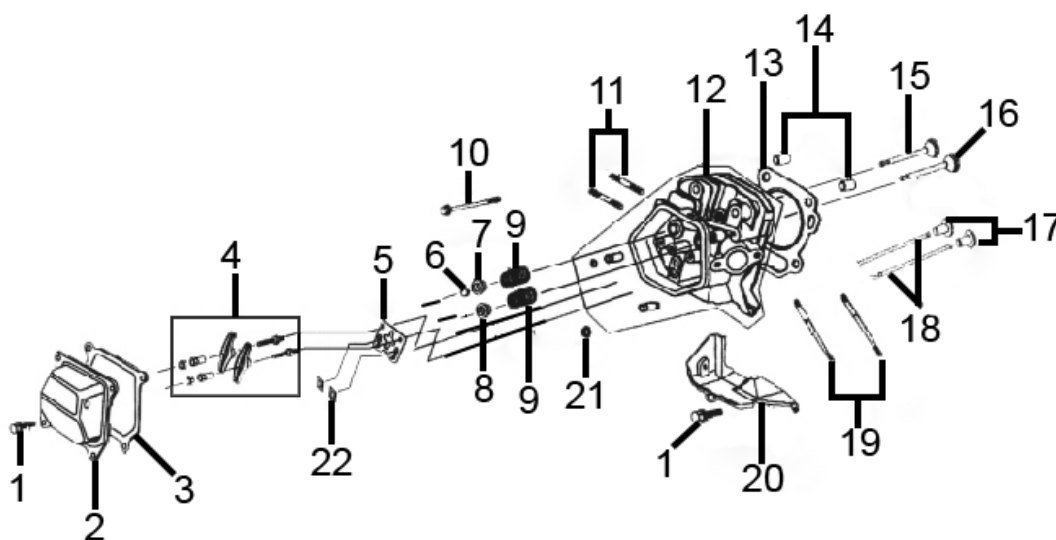
IMPORTANT: No liability is accepted for incorrect use of product. Spare parts must be fitted by a competent person

WARRANTY: Guarantee is 12 months from purchase date, proof of which will be required for any claim.



Item	Part No.	Description
1	EWP050.FS1	Pipe Clamp
2	EWP050.FS2	Fuel Pipe
3	EWP050.FS3	Inlet Gasket
4	EWP050.FS4	Connecting Block
5	EWP050.FS5	Carburettor Gasket
6	EWP050.FS6	Carburettor Assembly
7	EWP050.FS7	Gasket, Air Cleaner

Item	Part No.	Description
8	EWP050.FS8	Regulating Control Assembly
9	EWP050.FS9	Back Spring
10	EWP050.FS10	Regulating Spring
11	EWP050.FS11	Pulling Rod
12	EWP050.FS12	Lock Bolt
13	EWP050.FS13	Regulating Arm
14	FN6.S	Flange Nut Serrated M6



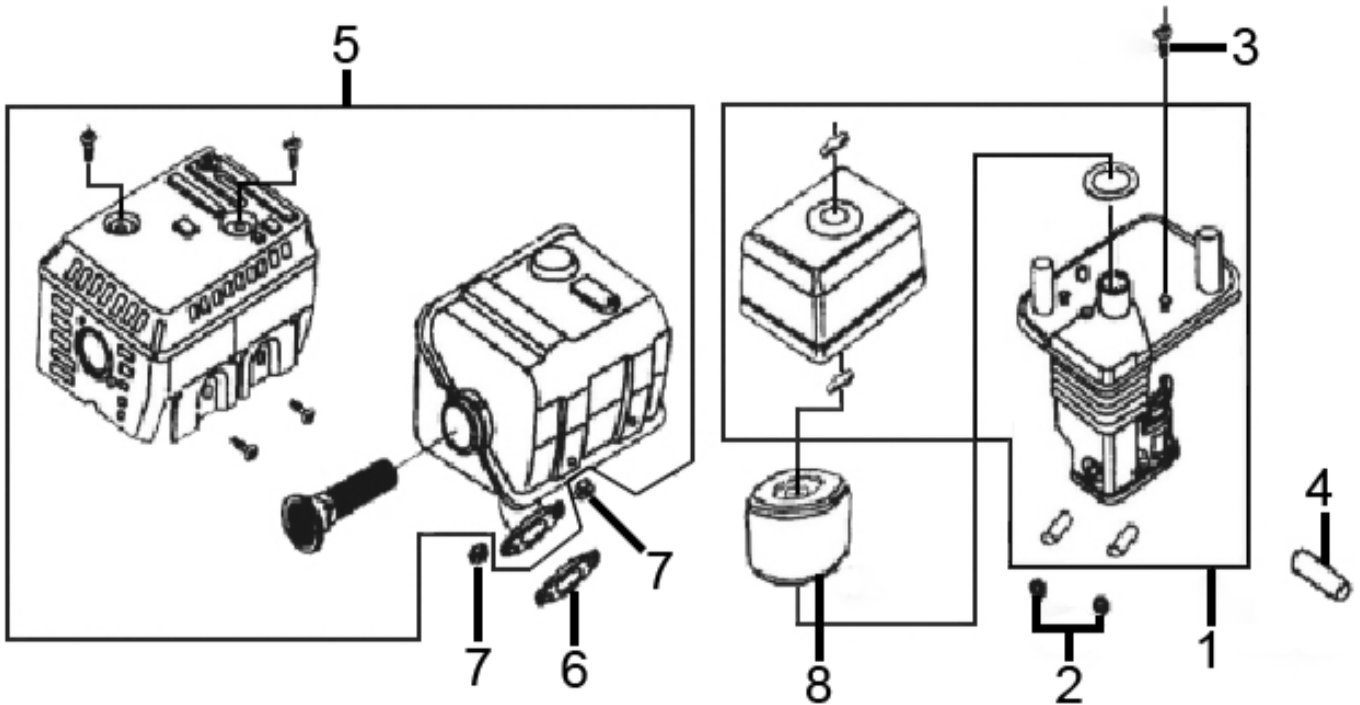
NOTE: It is our policy to continually improve products and as such we reserve the right to alter data, specifications and component parts without prior notice. There may be alternative versions of this product, please contact us should you require this information.

IMPORTANT: No liability is accepted for incorrect use of product. Spare parts must be fitted by a competent person

WARRANTY: Guarantee is 12 months from purchase date, proof of which will be required for any claim.

Item	Part No.	Description
1	SFS612.S	Hex Head Flange Bolt M6 X 12
2	EWP050.CH2	Cylinder Head Cover
3	EWP050.CH3	Gasket, Cylinder Head Cover
4	EWP050.CH4	Valve Rocket Assembly
5	EWP050.CH5	Push Guide
6	EWP050.CH6	Cap
7	EWP050.CH7	Exhaust Spring Seat
8	EWP050.CH8	Intake Spring Seat
9	EWP050.CH9	Valve Spring
10	EWP050.CH10	Bolt M8x60
11	EWP050.CH11	Stud M8x34

Item	Part No.	Description
12	EWP050.CH12	Cylinder Head Assembly
13	EWP050.CH13	Cylinder Head Gasket
14	EWP050.CH14	Set Pin
15	EWP050.CH15	Exhaust Valve
16	EWP050.CH16	Intake Valve
17	EWP050.CH17	Tappet
18	EWP050.CH18	Pusher
19	EWP050.CH19	Stud M6x105
20	EWP050.CH20	Lead Wind Cover
21	EWP050.CH21	Oil seal, Pipe
22	EWP050.CH22	Nylon Lining



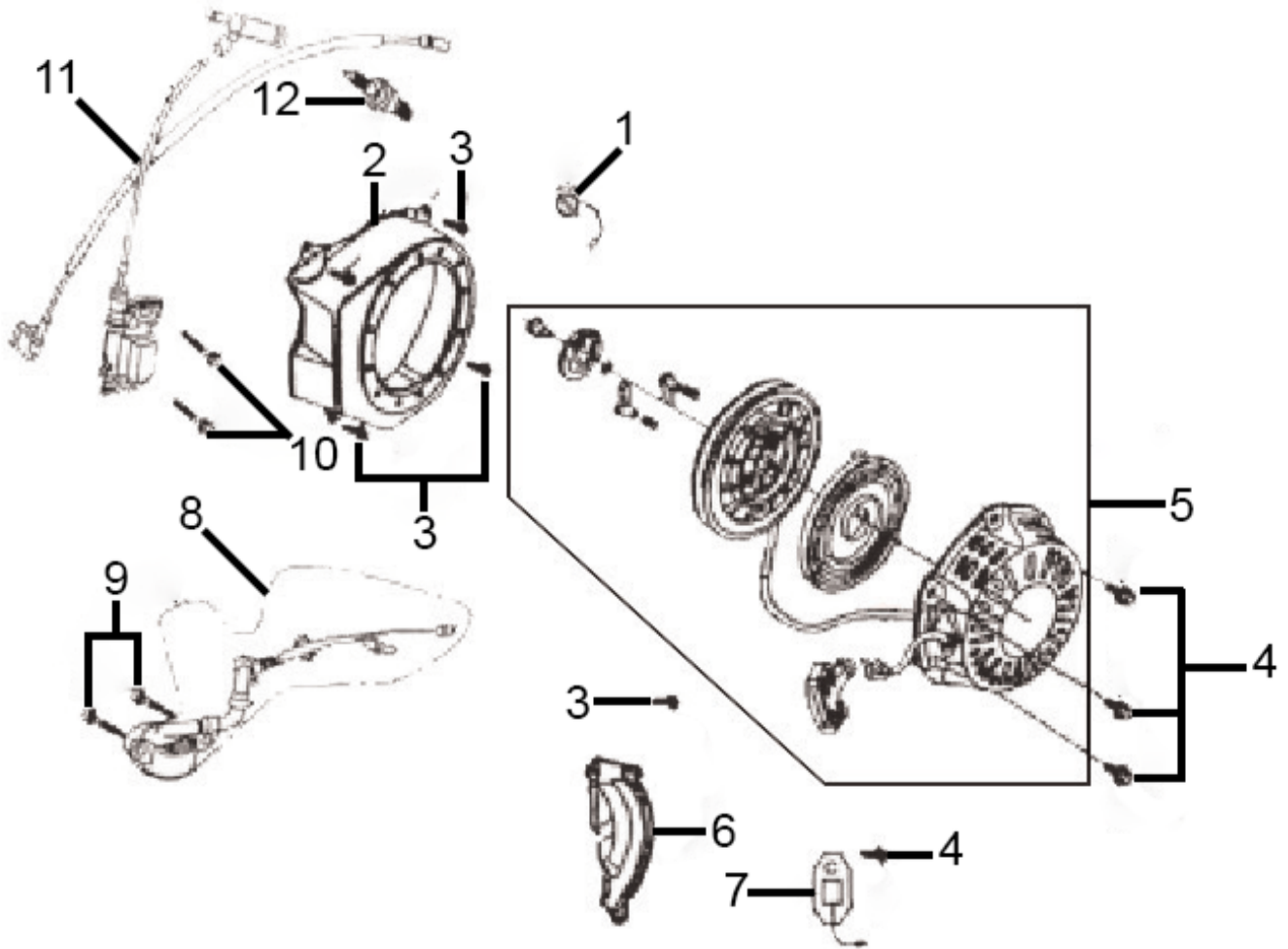
Item	Part No.	Description
1	EWP050.AC1	Air Cleaner Assembly
2	FN6.S	Flange Nut Serrated M6
3	SFS622.S	Hex Head Flange Bolt M6 X 22
4	EWP050.AC4	Air Duct

Item	Part No.	Description
5	EWP050.AC5	Exhaust Muffler Assembly
6	EWP050.AC6	Exhaust Gasket
7	FN8.S	Flange Nut Serrated M8
8	EWP050.AC8	Air Filter

NOTE: It is our policy to continually improve products and as such we reserve the right to alter data, specifications and component parts without prior notice. There may be alternative versions of this product, please contact us should you require this information.

IMPORTANT: No liability is accepted for incorrect use of product. Spare parts must be fitted by a competent person

WARRANTY: Guarantee is 12 months from purchase date, proof of which will be required for any claim.



Item	Part No.	Description
1	EWP050.RS1	Power Switch, Rotary (c/w Leads)
2	EWP050.RS2	Fan Hood
3	SFS612.S	Hex Head Flange Bolt M6 X 12
4	SFS68.S	Hex Head Flange Bolt M6 X 8
5	EWP050.RS5	Recoil Starter Assembly
6	EWP050.RS6	Shroud Comp

Item	Part No.	Description
7	GG2800.RS7	Diode
8	EWP050.RS8	Oil Sensor
9	SFS614.S	Hex Head Flange Bolt M6 X 14
10	SFS622.S	Hex Head Flange Bolt M6 X 22
11	EWP050.RS11	Ignition Coil Assembly
12	GG7500.RS11	Spark Plug

NOTE: It is our policy to continually improve products and as such we reserve the right to alter data, specifications and component parts without prior notice. There may be alternative versions of this product, please contact us should you require this information.

IMPORTANT: No liability is accepted for incorrect use of product. Spare parts must be fitted by a competent person

WARRANTY: Guarantee is 12 months from purchase date, proof of which will be required for any claim.