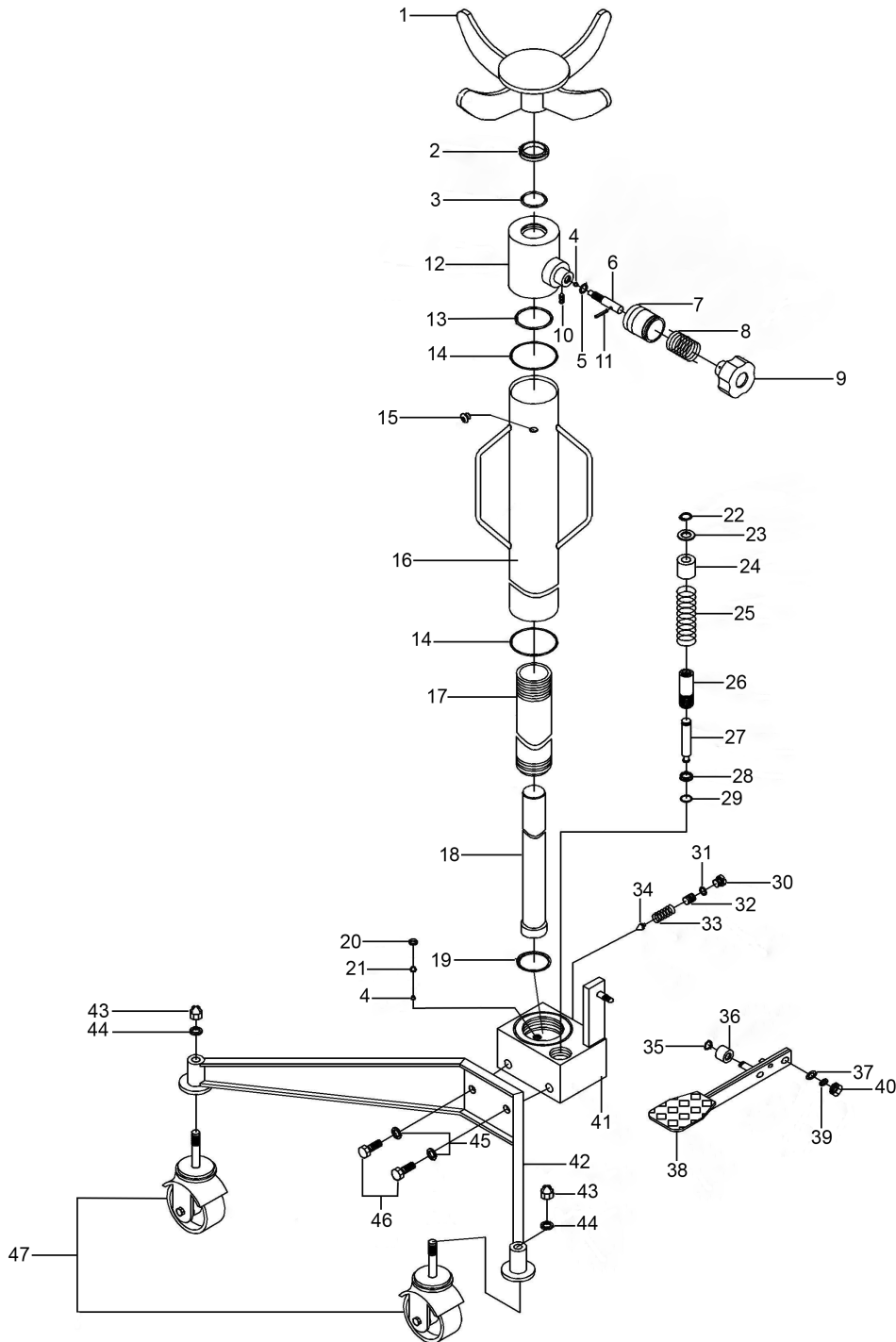




Parts Information:  
Transmission Jack 0.5tonne Vertical  
Model No: 500ETJ.V2



**NOTE:** It is our policy to continually improve products and as such we reserve the right to alter data, specifications and component parts without prior notice. There may be alternative versions of this product, please contact us should you require this information.

**IMPORTANT:** No liability is accepted for incorrect use of product. Spare parts must be fitted by a competent person

**WARRANTY:** Guarantee is 12 months from purchase date, proof of which will be required for any claim.

Sealey Group, Kempson Way, Suffolk Business Park, Bury St Edmunds, Suffolk. IP32 7AR



01284 757500



01284 703534



sales@sealey.co.uk



www.sealey.co.uk



Parts Information:  
**Transmission Jack 0.5tonne Vertical**  
**Model No: 500ETJ.V2**

Item	Part No.	Description
1	500ETJ.V2-01	Saddle
2	500ETJ.V2-02	Dust Ring
3	500ETJ.V2-03	O-Ring
4	SB-6.4	Steel Ball 6.4mm
5	500ETJ.V2-05	O-Ring
6	500ETJ.V2-06	Release Rod
7	500ETJ.V2-07	Bush
8	500ETJ.V2-08	Spring
9	500ETJ.V2-09	Release Knob
10	GSM58.S	Grub screw M5x8
11	500ETJ.V2-11	Spring Pin M4.2 X 25
12	500ETJ.V2-12	Cylinder Head
13	AK453X.V3-P49	O-Ring
14	500ETJ.V2-14	O-Ring
15	1000TRQ.V2-15	Oil Filler Plug
16	500ETJ.V2-16	Reservoir
17	500ETJ.V2-17	Cylinder
18	500ETJ.V2-18	Piston
19	SA611.22	O-Ring
20	500ETJ.V2-20	Plug (12mm)
21	SB-9.5	Steel Ball 9.5mm
22	MC4500.P5	External Circlip
23	FWM16.S	Flat Washer M16
24	500ETJ.V2-24	Bush

Item	Part No.	Description
25	500ETJ.V2-25	Spring
26	500ETJ.V2-26	Pump Unit
27	500ETJ.V2-27	Pump Piston
28	500ETJ.V2-28	Blue Seal
29	500ETJ.V2-29	O-Ring
30	500ETJ.V2-30	Plug Screw
31	DH03.V2-39	O-Ring
32	500ETJ.V2-32	Bush
33	500ETJ.V2-33	Spring
34	500ETJ.V2-34	Spring guide
35	500ETJ.V2-35	Circlip
36	500ETJ.V2-36	Bush
37	500ETJ.V2-37	Spring Washer
38	500ETJ.V2-38	Foot Pedal
39	500ETJ.V2-39	Washer
40	500ETJ.V2-40	Nut
41	500ETJ.V2-41	Pump
42	500ETJ.V2-42	Side Leg
43	SN12.SD	Steel Nut M12 Domed
44	FWM12.S	Flat Washer M12
45	SWM10.SB	Spring Washer M10 Black
46	SS1020.S	Hex Head Set Screw M10 X 20
47	500ETJ.V2-47	Wheel, Swivel Castor

**NOTE:** It is our policy to continually improve products and as such we reserve the right to alter data, specifications and component parts without prior notice. There may be alternative versions of this product, please contact us should you require this information.

**IMPORTANT:** No liability is accepted for incorrect use of product. Spare parts must be fitted by a competent person

**WARRANTY:** Guarantee is 12 months from purchase date, proof of which will be required for any claim.

**Sealey Group**, Kempson Way, Suffolk Business Park, Bury St Edmunds, Suffolk. IP32 7AR



01284 757500



01284 703534



sales@sealey.co.uk



www.sealey.co.uk