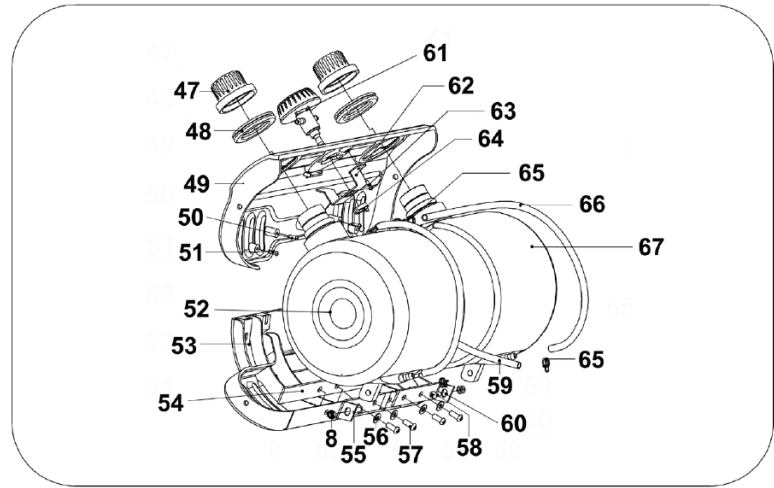
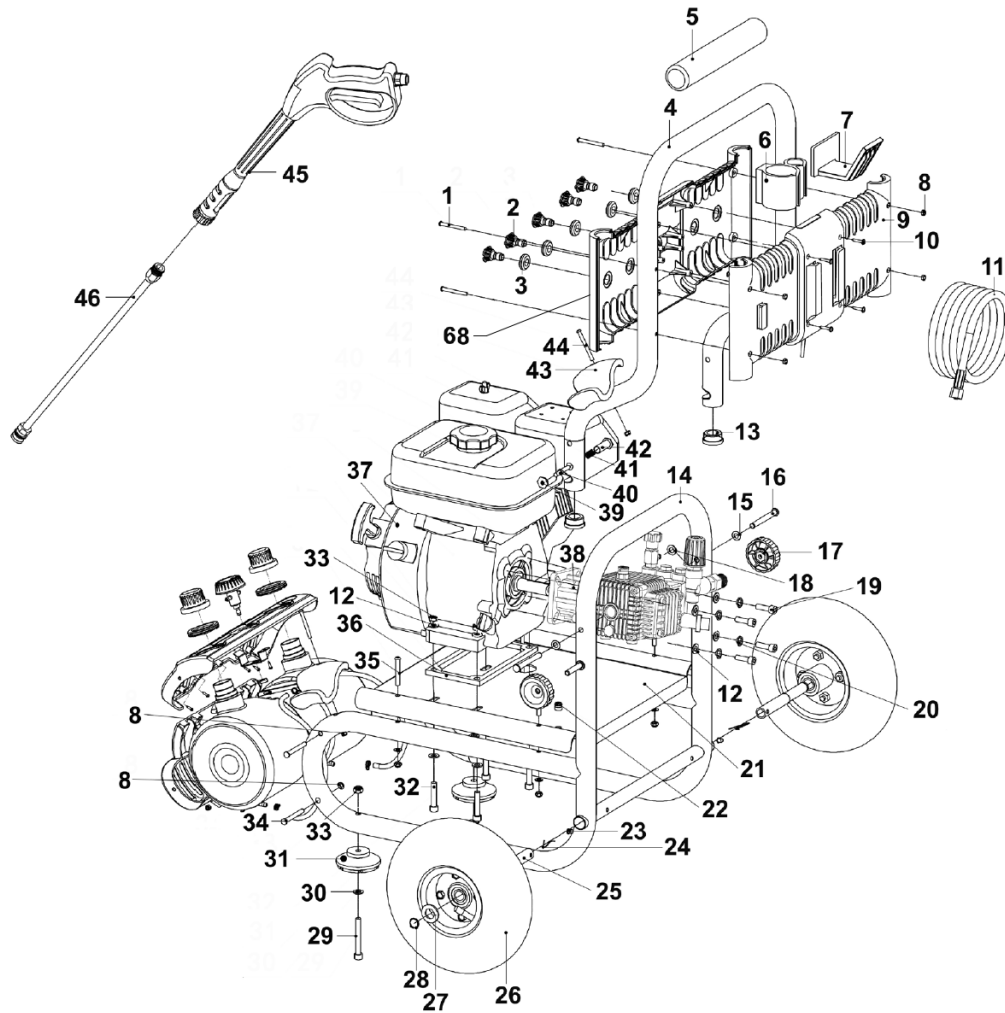




Parts Information:
Pressure Washer 220bar 540L/hr Self-Priming 6.5hp Petrol
Model No: PWM2500SP.V2



NOTE: It is our policy to continually improve products and as such we reserve the right to alter data, specifications and component parts without prior notice.

There may be alternative versions of this product, please contact us should you require this information.

IMPORTANT: No liability is accepted for incorrect use of product. Spare parts must be fitted by a competent person

WARRANTY: Guarantee is 12 months from purchase date, proof of which will be required for any claim.

Sealey Group, Kempson Way, Suffolk Business Park, Bury St Edmunds, Suffolk. IP32 7AR



01284 757500



01284 703534



sales@sealey.co.uk



www.sealey.co.uk



Parts Information:
Pressure Washer 220bar 540L/hr Self-Priming 6.5hp Petrol
Model No: PWM2500SP.V2

| Item | Part No. | Description |
|------|-----------------|---|
| 1 | PWDM3600.01 | Screw (M5x42) |
| 2 | PWM2500SPV2-F02 | Nozzle |
| 3 | PWM2500SPV2-F03 | Nozzle Gasket |
| 4 | PWM2500SPV2-F04 | Upper Frame |
| 5 | PWM2500SPV2-F05 | Upper Frame Foam |
| 6 | PWM2500SPV2-F06 | Gun Holder |
| 7 | PWM2500SPV2-F07 | Hose Hook |
| 8 | SN5.S | Steel Nut M5 Zinc |
| 9 | PWM2500SPV2-F09 | Back Panel |
| 10 | MSP422.SB | Machine Screw Pan Head Phillips Black M4 x 22 |
| 13 | PWM2500SPV2-F13 | End Cap |
| 14 | PWM2500SPV2-F14 | Frame Base |
| 15 | PWM2500SPV2-F15 | Frame Spindle Washer |
| 16 | PWM2500SPV2-F16 | Frame Spindle |
| 17 | PWM2500SPV2-F17 | Knob Assembly |
| 18 | SWM8.SB | Spring Washer M8 Black |
| 19 | SCB825.SB | Socket Cap Bolt M8 x 25 Black |
| 20 | SWM8.SB | Spring Washer M8 Black |
| 21 | PWM2500SPV2-F21 | Base |
| 22 | PWM2500SPV2-F22 | Wire Cover |
| 23 | PWM2500SPV2-F23 | Circlip |
| 24 | PWM2500SPV2-F24 | R-Pin |
| 25 | PWM2500SPV2-F25 | Wheel Shaft |
| 26 | PWM2500SPV2-F26 | Pneumatic Wheel 10" |
| 27 | FWM16.S | Flat Washer M16 Zinc |
| 28 | SWM16.S | Spring Washer M16 Zinc |
| 29 | PWM2500SPV2-F29 | Machine Screw Pan Head Phillips M8x45 |
| 30 | FWM8.S | Flat Washer M8 Zinc |
| 31 | PWM2500SPV2-F31 | Rubber Foot |
| 32 | PWM2500SPV2-F32 | Machine Screw Pan Head Phillips M8x45 |
| 33 | NLN8.S | Nyloc Nut M8 Zinc |
| 34 | MSP540.S | Machine Screw Pan Head Phillips M5x40mm |
| 35 | PWM2500SPV2-F35 | Machine Screw Pan Head Phillips M6x45 |

| Item | Part No. | Description |
|------|-----------------|---|
| 36 | PWM2500SPV2-F36 | Recoil Starter Ass'y |
| 37 | PWM2500SPV2-F37 | Engine |
| 38 | PWM2500SPV2-F38 | Crank Pump |
| 39 | PWM2500SPV2-F39 | Outside Limit |
| 40 | PWM2500SPV2-F40 | Limit Pin |
| 41 | PWM2500SPV2-F41 | Spring |
| 42 | PWM2500SPV2-F42 | Internal Limit Pin |
| 43 | PWM2500SPV2-F43 | Gun Holster |
| 44 | MSP550.SB | Machine Screw Pan Head Phillips M5x50mm |
| 45 | PWM2500SPV2-F45 | High Pressure Gun |
| 46 | PWM2500SPV2-F46 | High Pressure Lance |
| 47 | PWM2500SPV2-F47 | Detergent Bottle Cap |
| 48 | PWM2500SPV2-F48 | Detergent Bottle Gasket |
| 49 | PWM2500SPV2-F49 | Detergent Bottle Upper Gasket |
| 50 | PWM2500SPV2-F50 | Rd Head S/T Screw M4x16 |
| 51 | PWM2500SPV2-F51 | Rd Head S/T Screw M4x10 |
| 52 | PWM2500SPV2-F52 | Detergent Tank (Right Side) |
| 53 | PWM2500SPV2-F53 | Detergent Bottle Lower Panel |
| 54 | PWM2500SPV2-F54 | Detergent Bottle Fized Plate (Long) |
| 55 | PWM2500SPV2-F55 | Detergent Bottle Fixed Plate (Right) |
| 56 | FWM5.S | Flat Washer M5 Zinc |
| 57 | MSP516.S | Machine Screw Pan Head Phillips M5 x 16 |
| 58 | MSP516.S | Machine Screw Pan Head Phillips M5 x 16 |
| 59 | PWM2500SPV2-F59 | Injection Hose (Long) |
| 60 | PWM2500SPV2-F60 | Detergent Bottle Fixed Plate (Left) |
| 61 | PWM2500SPV2-F61 | Detergent Bottle Switch |
| 62 | PWM2500SPV2-F62 | Switch Fixing Plate |
| 63 | MSP48.SB | Machine Screw Pan Head Phillips M4x8mm |
| 64 | PWM2500SPV2-F64 | Detergent Bottle Switch Nut |
| 65 | PWM2500SPV2-F65 | Detergent Bottle Switch Circlip |
| 66 | PWM2500SPV2-F66 | Injection Hose (Short) |
| 67 | PWM2500SPV2-F67 | Detergent Tank (Left Side) |
| 68 | PWM2500SPV2-68 | Front Panel |

NOTE: It is our policy to continually improve products and as such we reserve the right to alter data, specifications and component parts without prior notice. There may be alternative versions of this product, please contact us should you require this information.

IMPORTANT: No liability is accepted for incorrect use of product. Spare parts must be fitted by a competent person

WARRANTY: Guarantee is 12 months from purchase date, proof of which will be required for any claim.

Sealey Group, Kempson Way, Suffolk Business Park, Bury St Edmunds, Suffolk. IP32 7AR



01284 757500



01284 703534

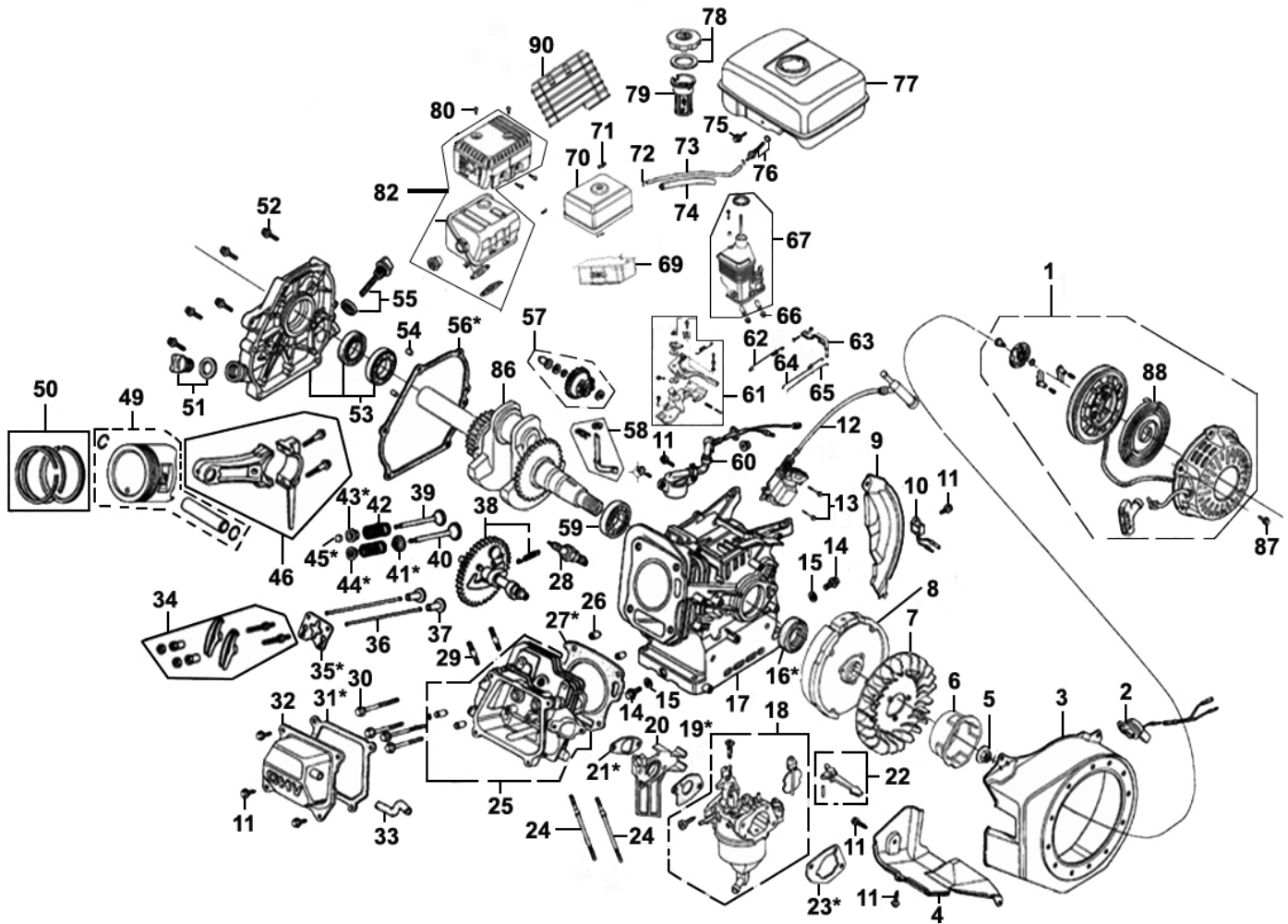


sales@sealey.co.uk



www.sealey.co.uk

Parts Information:
Pressure Washer 220bar 540L/hr Self-Priming 6.5hp Petrol
Model No: PWM2500SP.V2



| Item | Part No. | Description |
|------|-----------------|--|
| 1 | PWM2500SPV2-E01 | Recoil Starter Complete |
| 2 | PWM2500SPV2-E02 | On/Off Rotary Engine Switch, c/w Wires |
| 3 | PWM2500SPV2-E03 | Fan Cover Complete |
| 4 | PWM2500SPV2-E04 | Shroud Complete |
| 5 | SN14.S | Steel Nut M14 Zinc |
| 6 | PWM2500SPV2-E06 | Starter Pulley |
| 7 | PWM2500SPV2-E07 | Flywheel Fan |
| 8 | PWM2500SPV2-E08 | Flywheel Complete |
| 9 | PWM2500SPV2-E09 | Side Plate |
| 10 | PWM2500SPV2-E10 | Diode |
| 11 | SFS612.S | Hex Head Flange Bolt M6 X 12 Zinc |
| 12 | PWM2500SPV2-E12 | Ignition Coil Ass'y |
| 13 | SFS625.S | Hex Head Flange Bolt M6 X 25 Zinc |

| Item | Part No. | Description |
|------|-----------------|------------------------|
| 14 | PWM2500SPV2-E14 | Drain Bolt (M10 x 1.5) |
| 15 | PWM2500SPV2-E15 | Drain Washer |
| 16 | PWM2500SPV2-E16 | Oil Seal (25x41.25x6) |
| 17 | PWM2500SPV2-E17 | Crankcase Ass'y |
| 18 | PWM2500SPV2-E18 | Carburetor Ass'y |
| 19 | PWM2500SPV2-E19 | Carburetor Gasket |
| 20 | PWM2500SPV2-E20 | Carburetor Insulator |
| 21 | PWM2500SPV2-E21 | Insulator Gasket |
| 22 | PWM2500SPV2-E22 | Choke Level Complete |
| 23 | PWM2500SPV2-E23 | Air Cleaner Packing |
| 24 | PWM2500SPV2-E24 | Bolt Head (M6x12) |
| 25 | PWM2500SPV2-E25 | Cylinder Head Complete |
| 26 | PWM2500SPV2-E26 | Dowel Pin (10x16) |

NOTE: It is our policy to continually improve products and as such we reserve the right to alter data, specifications and component parts without prior notice. There may be alternative versions of this product, please contact us should you require this information.

IMPORTANT: No liability is accepted for incorrect use of product. Spare parts must be fitted by a competent person

WARRANTY: Guarantee is 12 months from purchase date, proof of which will be required for any claim.



Parts Information:
Pressure Washer 220bar 540L/hr Self-Priming 6.5hp Petrol
Model No: PWM2500SP.V2

| Item | Part No. | Description |
|------|-----------------|------------------------------|
| 27 | PWM2500SPV2-E27 | Cylinder Head Gasket |
| 28 | PWM2500SPV2-E28 | Spark Plug (F7RTC) |
| 29 | PWM2500SPV2-E29 | Double End Bolt (M8x35) |
| 30 | PWM2500SPV2-E30 | Flange Bolt (M8x55) |
| 31 | PWM2500SPV2-E31 | Cylinder Head Cover Gasket |
| 32 | PWM2500SPV2-E32 | Cylinder Head Cover Complete |
| 33 | PWM2500SPV2-E33 | Breather |
| 34 | PWM2500SPV2-E34 | Valve Rocker Arm Ass'y |
| 35 | PWM2500SPV2-E35 | Pushrod Guide Plate |
| 36 | PWM2500SPV2-E36 | Pushrod |
| 37 | PWM2500SPV2-E37 | Valve Lifter |
| 38 | PWM2500SPV2-E38 | Camshaft Ass'y |
| 39 | PWM2500SPV2-E39 | Valve, Exhaust |
| 40 | PWM2500SPV2-E40 | Valve, Intake |
| 41 | PWM2500SPV2-E41 | Valve Spring Seat |
| 42 | PWM2500SPV2-E42 | Valve Spring |
| 43 | PWM2500SPV2-E43 | Valve Spring Retainer, Ex |
| 44 | PWM2500SPV2-E44 | Valve Spring Retainer, In |
| 45 | PWM2500SPV2-E45 | Valve Rotator |
| 46 | PWM2500SPV2-E46 | Con-Rod Ass'y |
| 49 | PWM2500SPV2-E49 | Piston Complete |
| 50 | PWM2500SPV2-E50 | Piston Ring Set |
| 51 | PWM2500SPV2-E51 | Oil Cap |
| 52 | PWM2500SPV2-E52 | Flange Bolt (M8x32) |
| 53 | PWM2500SPV2-E53 | Crankcase Cover Ass'y |
| 54 | PWM2500SPV2-E54 | Dowel Pin (8x14) |
| 55 | PWM2500SPV2-E55 | Oil Filler Cap Ass'y |
| 56 | PWM2500SPV2-E56 | Crankcase Cover Gasket |
| 57 | PWM2500SPV2-E57 | Governor Ass'y |

| Item | Part No. | Description |
|------|-----------------|----------------------------------|
| 58 | PWM2500SPV2-E58 | Governor Shaft Ass'y |
| 59 | PWM2500SPV2-E59 | Radial Bearing (6025) |
| 60 | PWM2500SPV2-E60 | Oil Level Switch Ass'y |
| 61 | PWM2500SPV2-E61 | Control Ass'y |
| 62 | PWM2500SPV2-E62 | Governor Spring Dia 0.6mm |
| 63 | PWM2500SPV2-E63 | Governor Arm |
| 64 | PWM2500SPV2-E64 | Throttle Return Spring Dia 6.8mm |
| 65 | PWM2500SPV2-E65 | Governor Rod |
| 66 | NLN6.S | Nyloc Nut M6 Zinc |
| 67 | PWM2500SPV2-E67 | Air Cleaner Housing |
| 69 | PWM2500SPV2-E69 | Air Cleaner Housing Complete |
| 70 | PWM2500SPV2-E70 | Air Cleaner Cover |
| 71 | PWM2500SPV2-E71 | Wing Nut |
| 72 | PWM2500SPV2-E72 | Oil Tube Clip |
| 73 | PWM2500SPV2-E73 | Oil Tube (4X8X150) |
| 74 | PWM2500SPV2-E74 | PVC Sleeve |
| 75 | PWM2500SPV2-E75 | Screw (M6x28) |
| 76 | PWM2500SPV2-E76 | Fuel Tank Joint |
| 77 | PWM2500SPV2-E77 | Fuel Tank |
| 78 | PWM2500SPV2-E78 | Fuel Tank Cap |
| 79 | PWM2500SPV2-E79 | Fuel Filter |
| 80 | PWM2500SPV2-E80 | Tapping Screw (M4x10) |
| 82 | PWM2500SPV2-E82 | Muffler Assy |
| 86 | PWM2500SPV2-E86 | Crankshaft Complete |
| 87 | PWM2500SPV2-E87 | Screw (M6x10) |
| 88 | PWM2500SPV2-E88 | Starter Coil Spring |
| 90 | PWM2500SPV2-E90 | Muffler Cover |
| -- | PWM2500SPV2-E89 | Tool Kit (Not Shown) |

NOTE: It is our policy to continually improve products and as such we reserve the right to alter data, specifications and component parts without prior notice. There may be alternative versions of this product, please contact us should you require this information.

IMPORTANT: No liability is accepted for incorrect use of product. Spare parts must be fitted by a competent person

WARRANTY: Guarantee is 12 months from purchase date, proof of which will be required for any claim.

Sealey Group, Kempson Way, Suffolk Business Park, Bury St Edmunds, Suffolk. IP32 7AR



01284 757500



01284 703534



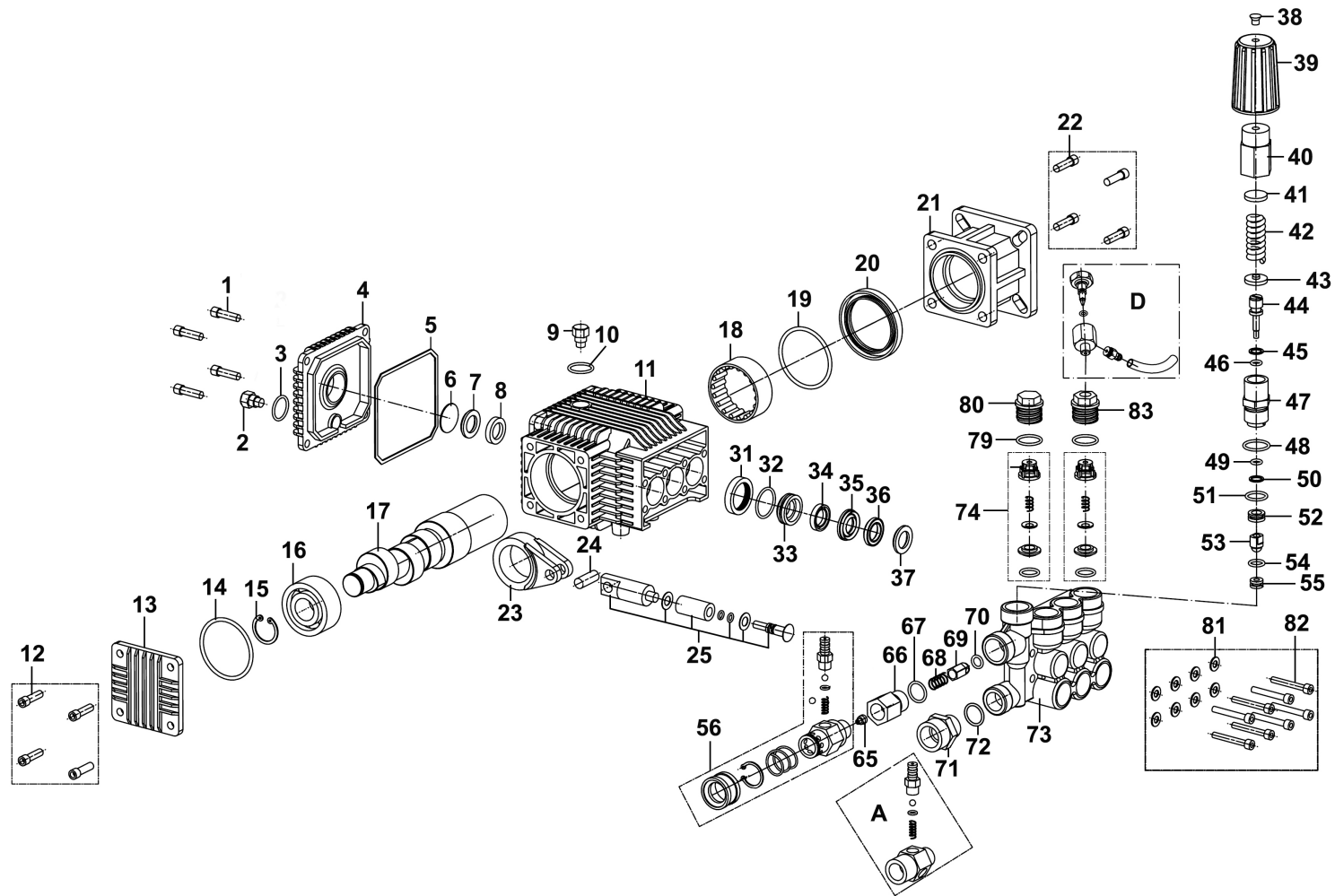
sales@sealey.co.uk



www.sealey.co.uk



Parts Information:
Pressure Washer 220bar 540L/hr Self-Priming 6.5hp Petrol
Model No: PWM2500SP.V2



NOTE: It is our policy to continually improve products and as such we reserve the right to alter data, specifications and component parts without prior notice.

There may be alternative versions of this product, please contact us should you require this information.

IMPORTANT: No liability is accepted for incorrect use of product. Spare parts must be fitted by a competent person

WARRANTY: Guarantee is 12 months from purchase date, proof of which will be required for any claim.

Sealey Group, Kempson Way, Suffolk Business Park, Bury St Edmunds, Suffolk. IP32 7AR



01284 757500



01284 703534



sales@sealey.co.uk



www.sealey.co.uk



Parts Information:
Pressure Washer 220bar 540L/hr Self-Priming 6.5hp Petrol
Model No: PWM2500SP.V2

| Item | Part No. | Description |
|------|-----------------|-----------------------------------|
| 1 | PWM2500SPV2-P01 | Fixing Bolt for Back Cover |
| 2 | PWM2500SPV2-P02 | Oil Drain Bolt |
| 3 | PWM2500SPV2-P03 | Oil Drain Bolt Washer |
| 4 | PWM2500SPV2-P04 | Crankcase Cover |
| 5 | PWM2500SPV2-P05 | Crankcase Cover Gasket |
| 6 | PWM2500SPV2-P06 | Oil Level Lens |
| 7 | PWM2500SPV2-P07 | Oil Level Lens Seal |
| 8 | PWM2500SPV2-P08 | Oil Level Lens Cap |
| 9 | PWM2500SPV2-P09 | Oil Inlet Plug |
| 10 | PWM2500SPV2-P10 | Oil Inlet Plug O-Ring |
| 11 | PWM2500SPV2-P11 | Crankcase |
| 12 | PWM2500SPV2-P12 | Fixing Bolt for Crank Shaft Cover |
| 13 | PWM2500SPV2-P13 | Crank Shaft Cover |
| 14 | PWM2500SPV2-P14 | Crank Shaft Cover O-Ring |
| 15 | PWM2500SPV2-P15 | Int Circlip |
| 16 | PWM2500SPV2-P16 | Bearing |
| 17 | PWM2500SPV2-P17 | Crank Shaft |
| 18 | PWM2500SPV2-P18 | Roller Bearing |
| 19 | PWM2500SPV2-P19 | Crank Shaft Oil Seal O-Ring |
| 20 | PWM2500SPV2-P20 | Crank Shaft Oil Seal |
| 21 | PWM2500SPV2-P21 | Connecting Flange |
| 22 | PWM2500SPV2-P22 | Fixing Bolt for Connecting Flange |
| 23 | PWM2500SPV2-P23 | Connecting Rod |
| 24 | PWM2500SPV2-P24 | Connecting Rod Pin |
| 25 | PWM2500SPV2-P25 | Plunger Piston Ass'y |
| 31 | PWM2500SPV2-P31 | Plunger Oil Seal |
| 32 | PWM2500SPV2-P32 | Water Seal O-Ring |
| 33 | PWM2500SPV2-P33 | Water Seal Cap |
| 34 | PWM2500SPV2-P34 | Water Seal Guide Ring |
| 35 | PWM2500SPV2-P35 | Water Seal Grip Ring |
| 36 | PWM2500SPV2-P36 | Water Seal |
| 37 | PWM2500SPV2-P37 | Support Seal |
| 38 | PWM2500SPV2-P38 | Pressure Adjusting Handle Screw |
| 39 | PWM2500SPV2-P39 | Pressure Adjusting Handle |

| Item | Part No. | Description |
|------|-----------------|---|
| 40 | PWM2500SPV2-P40 | Pressure Adjusting Handle Cover |
| 41 | PWM2500SPV2-P41 | Pressure Adjusting Spring Upper Gasket |
| 42 | PWM2500SPV2-P42 | Pressure Adjusting Spring |
| 43 | PWM2500SPV2-P43 | Pressure Adjusting Spring Middle Gasket |
| 44 | PWM2500SPV2-P44 | Pressure Adjusting Valve Core |
| 45 | PWM2500SPV2-P45 | Valve Core O-Ring Collar |
| 46 | PWM2500SPV2-P46 | Valve Core O-Ring |
| 47 | PWM2500SPV2-P47 | Pressure Adjusting Sheath |
| 48 | PWM2500SPV2-P48 | Pressure Adjusting Sheath O-Ring |
| 49 | PWM2500SPV2-P49 | Pressure Adjusting Sheath Inner O-Ring |
| 50 | PWM2500SPV2-P50 | Pressure Adjusting Seat |
| 51 | PWM2500SPV2-P51 | Pressure Adjusting Seat Outer O-Ring |
| 52 | PWM2500SPV2-P52 | Pressure Adjusting Seat |
| 53 | PWM2500SPV2-P53 | Pressure Adjusting Valve Head |
| 54 | PWM2500SPV2-P54 | Pressure Adjusting Gasket O-Ring |
| 55 | PWM2500SPV2-P55 | Pressure Adjusting Gasket |
| 65 | PWM2500SPV2-P65 | Water Spray Nozzle |
| 66 | PWM2500SPV2-P66 | Coned Valve Joint |
| 67 | PWM2500SPV2-P67 | Coned Valve Joint O-Ring |
| 68 | PWM2500SPV2-P68 | Coned Valve Spring |
| 69 | PWM2500SPV2-P69 | Coned Valve |
| 70 | PWM2500SPV2-P70 | Coned Valve O-Ring |
| 71 | PWM2500SPV2-P71 | Water Inlet Connector |
| 72 | PWM2500SPV2-P72 | Water Inlet Connector O-Ring |
| 73 | PWM2500SPV2-P73 | Pump Body |
| 74 | PWM2500SPV2-P74 | Check Valve Ass'y |
| 79 | PWM2500SPV2-P79 | Check Valve Cap O-Ring |
| 80 | PWM2500SPV2-P80 | Check Valve Cap |
| 81 | PWM2500SPV2-P81 | Washer |
| 82 | PWM2500SPV2-P82 | Fixing Bolt for Pump Body |
| 83 | PWM2500SPV2-P83 | Check Valve Plug |
| A | PWM2500SPV2-A | Water Outlet Connector |
| D | PWM2500SPV2-D | Vent Valvew Ass'y |

NOTE: It is our policy to continually improve products and as such we reserve the right to alter data, specifications and component parts without prior notice. There may be alternative versions of this product, please contact us should you require this information.

IMPORTANT: No liability is accepted for incorrect use of product. Spare parts must be fitted by a competent person

WARRANTY: Guarantee is 12 months from purchase date, proof of which will be required for any claim.

Sealey Group, Kempson Way, Suffolk Business Park, Bury St Edmunds, Suffolk. IP32 7AR



01284 757500



01284 703534



sales@sealey.co.uk



www.sealey.co.uk