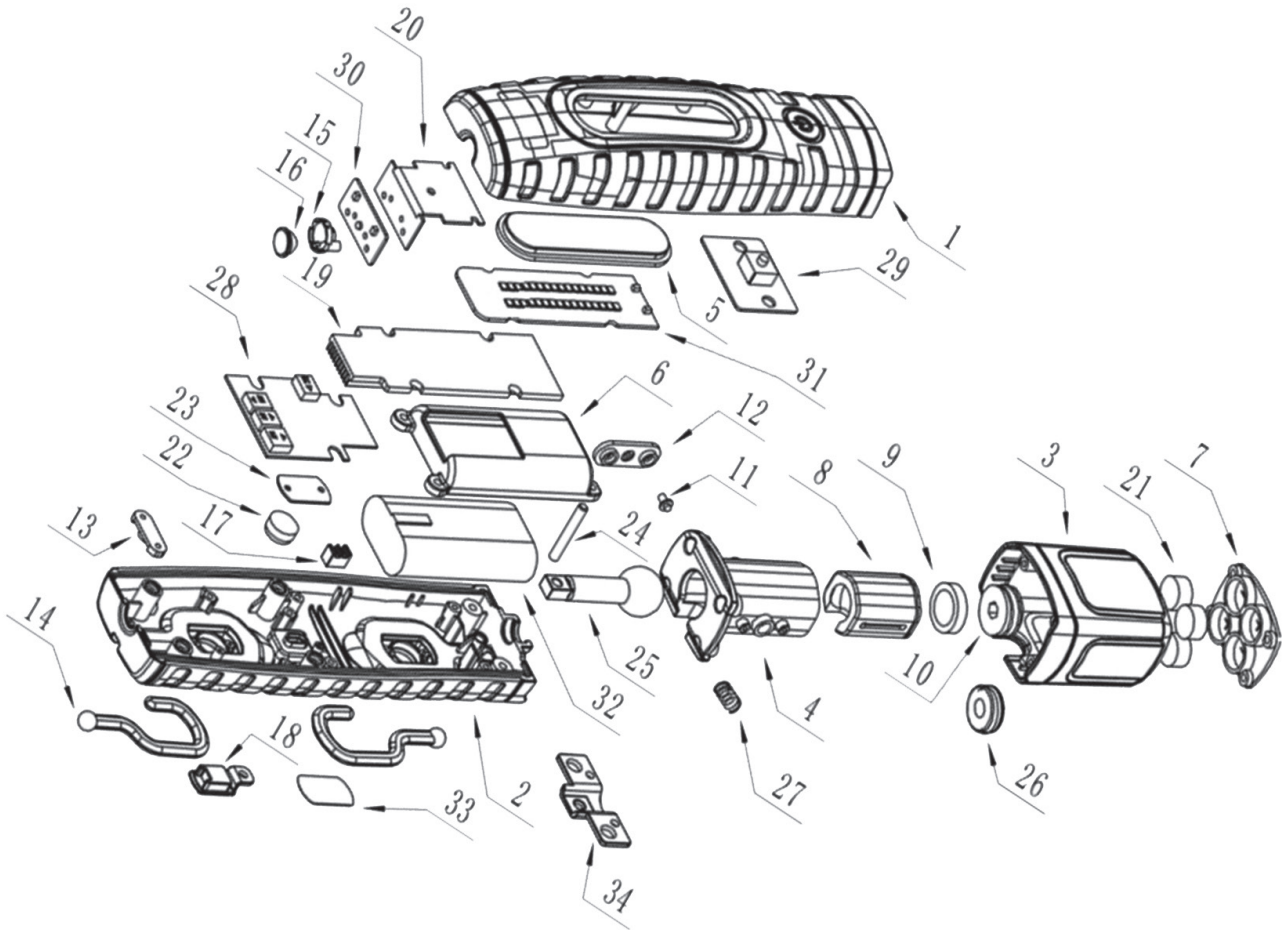


Parts Information:  
**Rechargeable 360° Inspection Lamp 24  
 SMD LED + 3W LED Green 2 x Lithium-ion  
 Model No: LED3606G**



Item	Part No.	Description
1	LED3606G.01	Front Housing 'Green'
2	LED3606G.02	Back Housing 'Green'
3	LED3606G.03	Handle 'Green'
4	LED360PLUS.04	Rotating Support (Large)
5	LED360PLUS.05	Main LED Lens
6	LED360PLUS.06	Battery Cover
7	LED360.V2-09	Bottom Cover
8	LED360.V2-14	Rotating Support (Upper)
9	LED360.V2-04	Ball Support (Lower)
10	LED360.V2-05	Ball Support (Upper)
11	LED360.V2-17	Pin
12	LED360.V2-16	Rotating Support
13	LED360.V2-10	Hook Support
14	LED360.V2-06	Hook, Top
15	LED360PLUS.15	Head Lens Solid Board
16	LED360PLUS.16	Head LED Lens
17	LED360PLUS.17	Indicator Light Solid Board
18	LED360PLUS.18	Charger Socket Cover

Item	Part No.	Description
19	LED360PLUS.19	Plate for Main LED
20	LED360PLUS.20	Plate for Head LED
21	LED360.V2-24	Bottom Magnet
22	LED360.V2-25	Back Housing Magnet
23	LED360.V2-19	Magnet Support
24	LED360.V2-21	Rotating Ball Pin
25	LED360.V2-20	Rotating Ball
26	LED360.V2-22	Wave Spring
27	LED360.V2-23	Spring
28	LED3606.28	PCB
29	LED360PLUS.29	Switch
30	LED360PLUS.30	Head Led
31	LED3606.31	24SMD PCB
32	LED360PLUS.32	Battery w/connector 3.7v 5200mah li-ion (35x68mm)
33	LED360PLUS.33	Magnetic Label
34	LED360PLUS.34	Pivot Board
--	LED3602G.41	Micro USB with 5pin Cable ( <b>not shown</b> )

**NOTE:** It is our policy to continually improve products and as such we reserve the right to alter data, specifications and component parts without prior notice.

**IMPORTANT:** No liability is accepted for incorrect use of product.

**WARRANTY:** Guarantee is 12 months from purchase date, proof of which will be required for any claim.