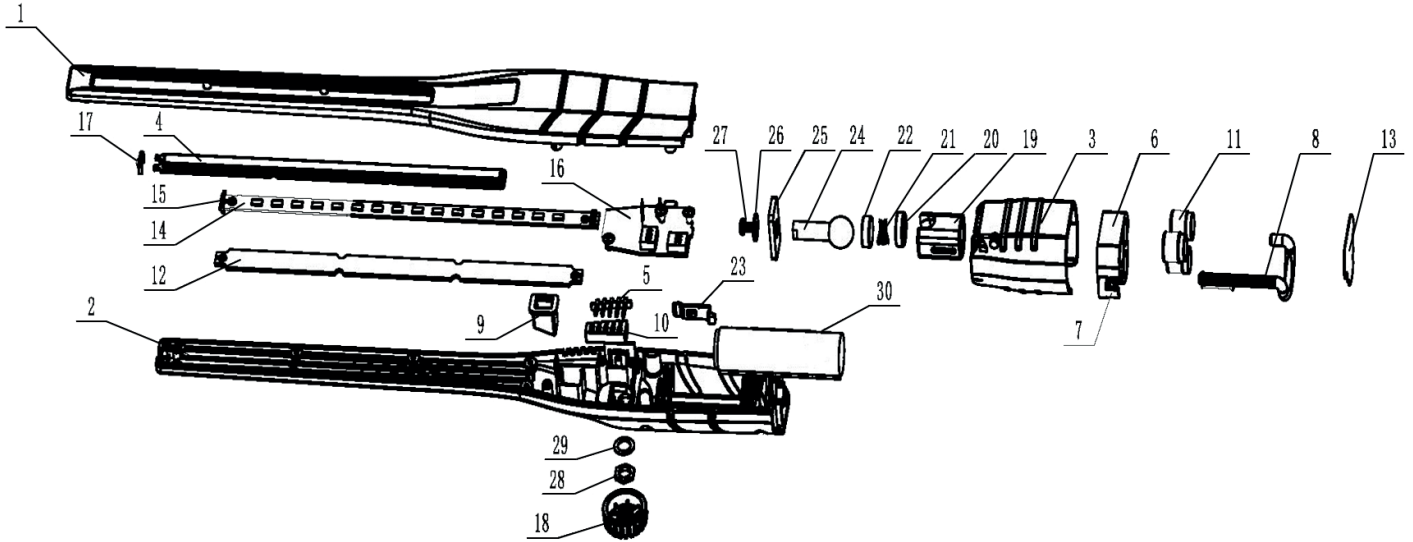




Parts Information:  
**Rechargeable 360° Slim Inspection Lamp**  
**16 SMD LED + 1W LED Green Lithium-ion**  
**Model No: LED3604G**



| Item | Part No.    | Description              |
|------|-------------|--------------------------|
| 1    | LED3604G.01 | FRONT HOUSING 'GREEN'    |
| 2    | LED3604G.02 | BACK HOUSING 'GREEN'     |
| 3    | LED3604G.03 | HANDLE 'GREEN'           |
| 4    | LED3604.04  | CLEAR LENS               |
| 5    | LED3604.05  | REFLECTOR                |
| 6    | LED3604.06  | MAGNETIC BASE            |
| 7    | LED3604.07  | HOOK SUPPORT             |
| 8    | LED3604.08  | NYLON HOOK               |
| 9    | LED3604.09  | SWITCH CAP FOR HEADLIGHT |
| 10   | LED3604.10  | INDICATOR SUPPORT        |
| 11   | LED3604.11  | MAGNET                   |
| 12   | LED3604.12  | PLATE                    |
| 13   | LED3604.13  | BOTTOM STICKER           |
| 14   | LED3604.14  | 12SMD PCB                |
| 15   | LED3604.15  | HEAD LED PCB             |
| 16   | LED3604.16  | PCB                      |

| Item | Part No.    | Description                           |
|------|-------------|---------------------------------------|
| 17   | LED3604.17  | HEAD LED LENS                         |
| 18   | LED3604.18  | LIGHT SWITCH                          |
| 19   | LED3604.19  | SMALL BALL SUPPORT                    |
| 20   | LED3601.13  | PIVOT PROTECTION RING                 |
| 21   | LED3601.24  | WAVE SPRING                           |
| 22   | LED3601.13  | PIVOT PROTECTION RING                 |
| 23   | LED3604.23  | CHARGING SOCKET COVER                 |
| 24   | LED3601.23  | PIVOT                                 |
| 25   | LED3601.07  | PIVOT PLATE                           |
| 26   | LED3604.26  | WASHER M12                            |
| 27   | LED3604.27  | SCREW M4x6                            |
| 28   | LED3604.28  | HEX NUT M6                            |
| 29   | LED3604.29  | WASHER 11mm                           |
| 30   | LED3604.30  | BATTERY 3.7V 2600mAh                  |
| --   | LED3602G.41 | MICRO USB WITH 5PIN CABLE (not shown) |

**NOTE:** It is our policy to continually improve products and as such we reserve the right to alter data, specifications and component parts without prior notice.

**IMPORTANT:** No liability is accepted for incorrect use of product.

**WARRANTY:** Guarantee is 12 months from purchase date, proof of which will be required for any claim.

**Sealey Group**, Kempson Way, Suffolk Business Park, Bury St Edmunds, Suffolk. IP32 7AR



01284 757500



01284 703534



sales@sealey.co.uk



www.sealey.co.uk