

LiftMate KI 500 – 1500kg Capacity Manual Stackers

The LiftMate KI range of stackers offers an economical alternative to our premium ranges. Manufactured from robust steel profiles, the stackers have a capacity of 500kg, 1000kg or 1500kg and lift to 1.2, 1.6, 2.5 or 3.0m. Fully pivoting steering wheels (360 degrees) enable great maneuverability and minimum space requirements. The stackers have an ergonomic handle and a pedal for optional lifting by foot. A straddle version is available for handling pallets with closed bottom or perimeter base.



KI 1000/1600



KI 1000/2500 SA with straddle legs and adjustable forks



KI 1000/1600 SA with straddle legs and adjustable forks



KI 1000/1600 A with adjustable forks



KI 500/1600 A with adjustable forks



KI 1000/2500



Technical Specifications

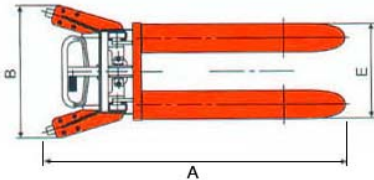
Model		KI 1000/1200	KI 1000/1600	KI 1000/2500	KI 1000/3000	KI 1500/1600
Capacity		1000kg	1000kg	1000kg	1000kg	1500kg
Lift height	H	85 – 1200mm	85 – 1600mm	85 – 2500mm	85 – 3000mm	85 – 1600mm
Fork length	L	1100mm	1100mm	1150mm	1100mm	1060mm
Width over forks	E	550mm	550mm	585mm	585mm	585mm
Individual fork width		170mm	170mm	170mm	170mm	170mm
Pump stroke		25mm	25mm	25mm	25mm	20mm
Overall width	B	740mm	740mm	860mm	840mm	910mm
Overall length	A	1640mm	1640mm	1685mm	1640mm	1640mm
O/A raised height	H2	1720mm	2080mm	3005mm	3500mm	2090mm
O/A lowered height	F	1720mm	2060mm	1840mm	2080mm	2090mm
Width over legs	B2	500mm	500mm	555mm	555mm	
Gap between legs	G	260mm	260mm	310mm	310mm	260mm
Approx. weight		210kg	230kg	276kg	307kg	255kg

Model		KI 500/1600 A	KI 1000/1600 A	KI 1000/2500 A	KI 1000/1600 SA	KI 1000/2500 SA
Capacity		500kg	1000kg	1000kg	1000kg	1000kg
Lift height	H	80 – 1600mm	85/105* – 1600mm	85/105* – 2500mm	50 – 1600mm	50 – 2500mm
Fork length	L	1100mm	1060mm	1060mm	1060mm	1060mm
Width over forks	E	220 – 780mm	310 - 920mm	310 - 840mm	240 - 940mm	240 - 700mm
Individual fork width		100mm	145mm	100mm	100mm	100mm
Pump stroke		25mm	25mm	25mm	25mm	25mm
Overall width	B	800mm	965mm	840mm	1500mm	1500mm
Overall length	A	1560mm	1640mm	1600mm	1540mm	1600mm
O/A raised height	H2	2080mm	2075mm	3040mm		
Width over legs	B2		565mm	560mm		
O/A lowered height	F	1990mm	2075mm	1840mm	2050mm	1840mm
Gap between legs	G	420mm	315mm	315mm	1250mm	1250mm
Approx. weight		205kg	250kg	279kg	336kg	340kg

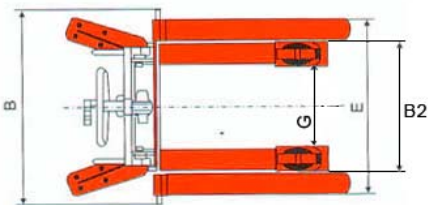
*85mm when the lowered forks are next to the support legs

*105mm when the lowered forks are over the support legs

Wrap-over

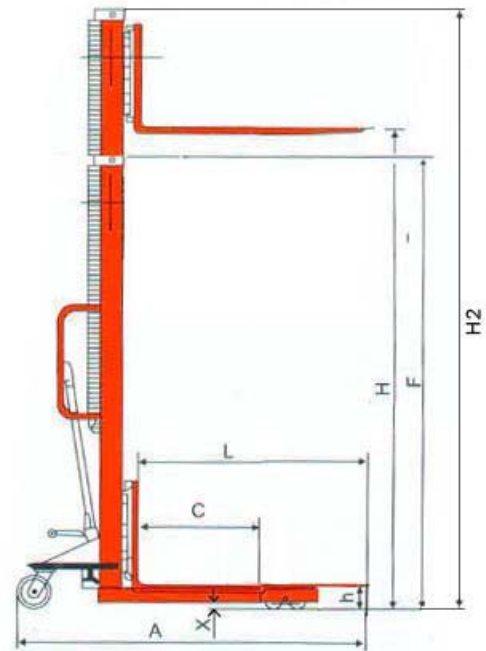
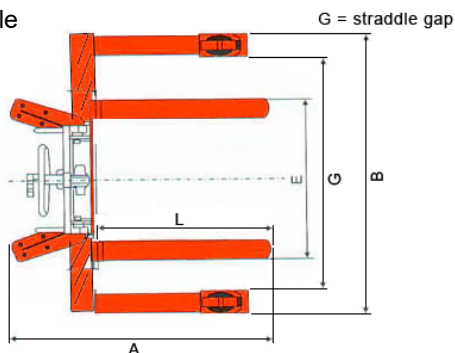


Adjustable Forks



B2 = width over legs

Straddle



X = clearance below chassis
H2 = O/A raised height
F = O/A closed height