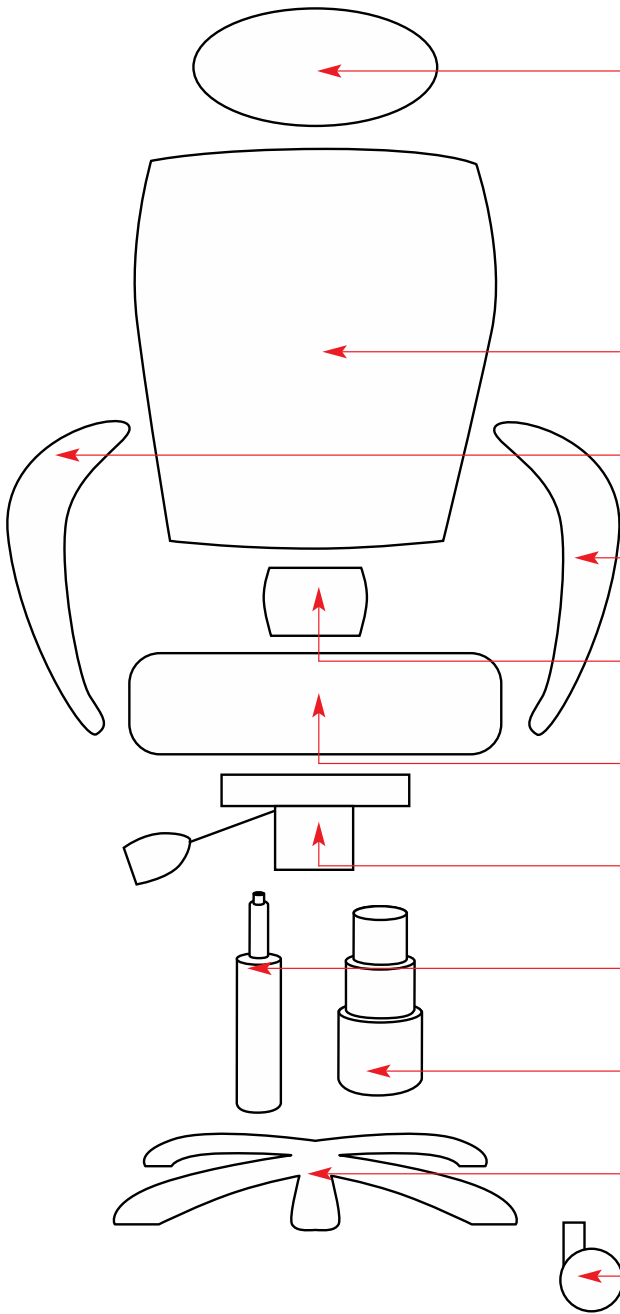


PRODUCT	TEK CHAIR	OF-5004
---------	-----------	---------



HEADREST		N/A
BACKREST		Z132
ARM <i>RH when seated</i>		N/A
ARM <i>LH when seated</i>		N/A
BACK BRACKET/MECH		N/A
SEAT	Z229	MECHANISM SCREW DIMENSIONS IN CM
MECHANISM	Z2266 (BASEPLATE)	
GAS LIFT	Z27	
TELESCOPE		N/A
FIVE STAR BASE		Z225
CASTORS		N/A

FIXINGS	NO FIXINGS REQUIRED
---------	---------------------

UNIQUE PARTS	SET OF GLIDES - Z240, FOOTRING – Z2277, CENTRAL COLUMN – Z252
--------------	---

NOTES	
-------	--