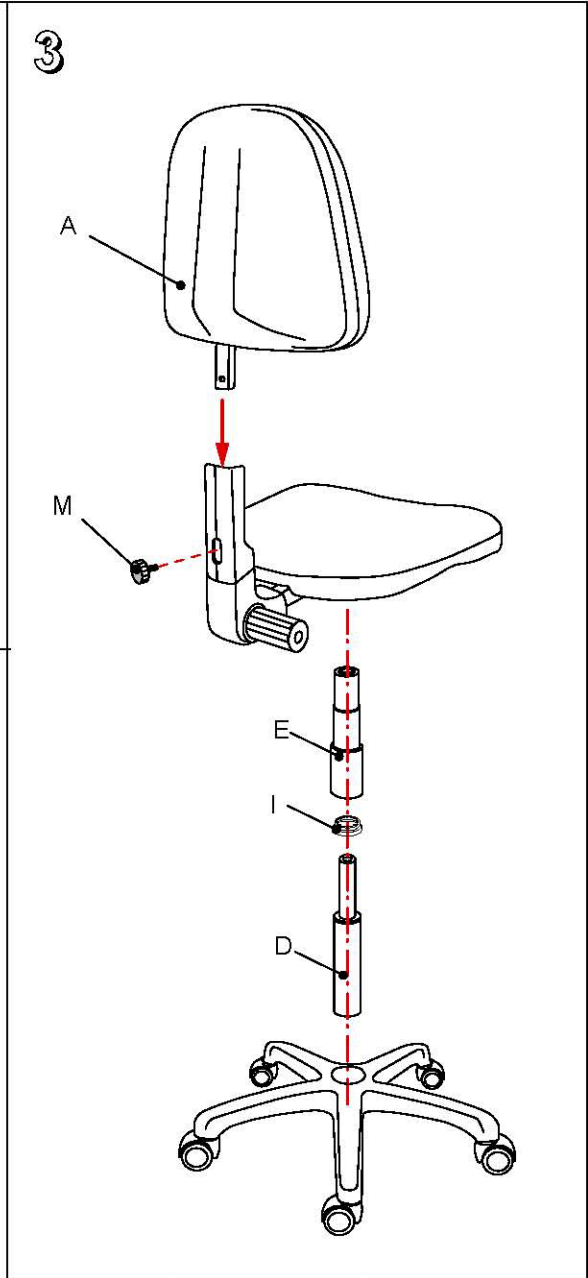
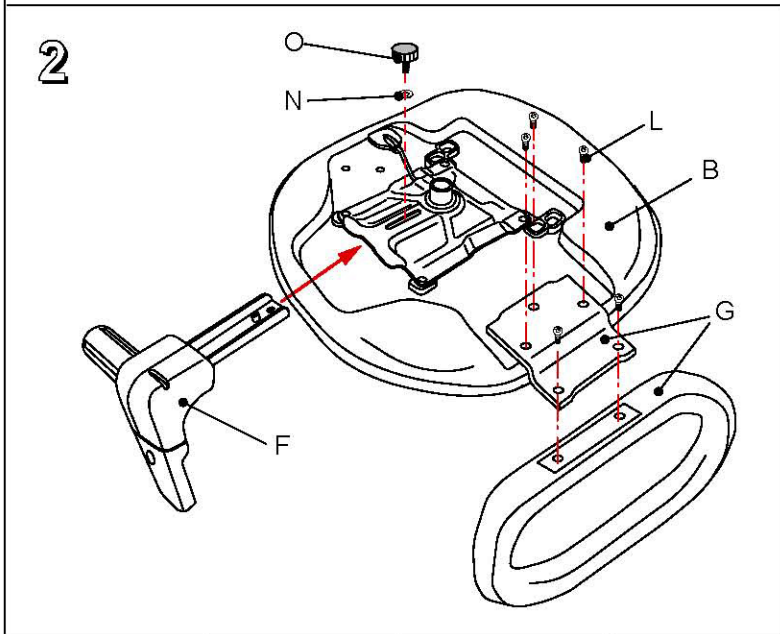
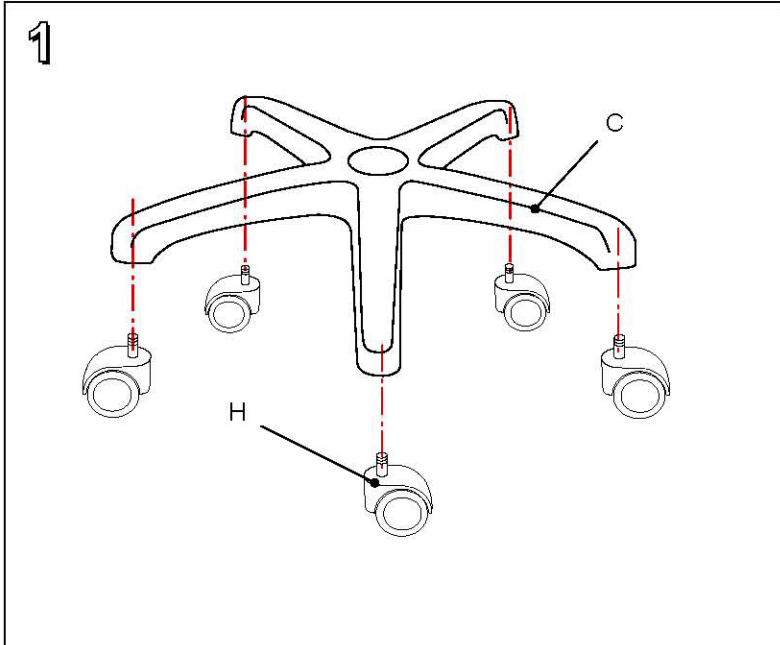




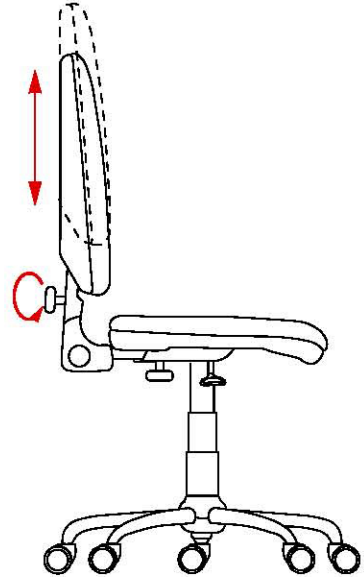
# FRASER MED



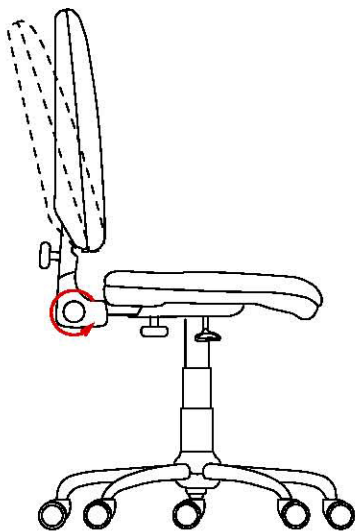
A	B	C	D	E	F	OPTIONAL
x1	x1	x1	x1	x1	x1	x2
H	I	OPTIONAL L	M	N	O	OPTIONAL x1
x5	x1	x10	x1	x1	x1	

*Please do not throw away the packaging until you are completely satisfied with the chair.  
 All returns must be made in original packaging.*

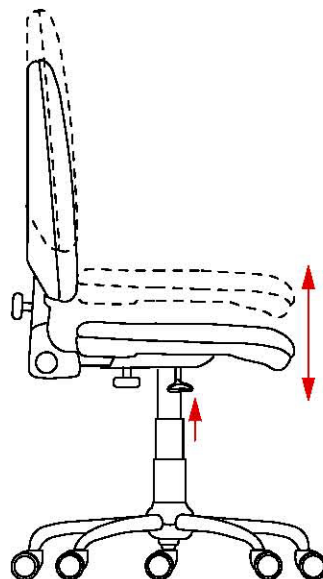
## FRASER MED



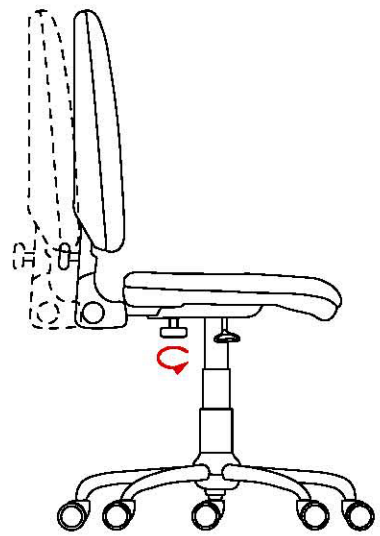
Altezza schienale  
Höhenverstellung der Rücken  
Règlage hauteur du dossier  
Height adjustment of the back



Inclinazione schienale  
Neigung der Rücken  
Inclination du dossier  
Reclining of the back



Altezza seduta  
Höhenverstellung dem Sitz  
Règlage hauteur du siège  
Height adjustment of the seat



Regolazione schienale  
Rücken vor und zurück  
Règlage du dossier d'avant en arrière  
Back and forth adjustment of the back

**TEKNIK OFFICE LTD**  
**Phone: 0 1234 328804**  
**Fax: 0 1234 342446**  
**e-mail: CustomerService@teknikoffice.co.uk**

## RING KIT DELUXE

### **ASSEMBLY AND ADJUSTMENT INSTRUCTIONS**

Before beginning the assembly, check to see that all parts are enclosed.

#### PART LIST

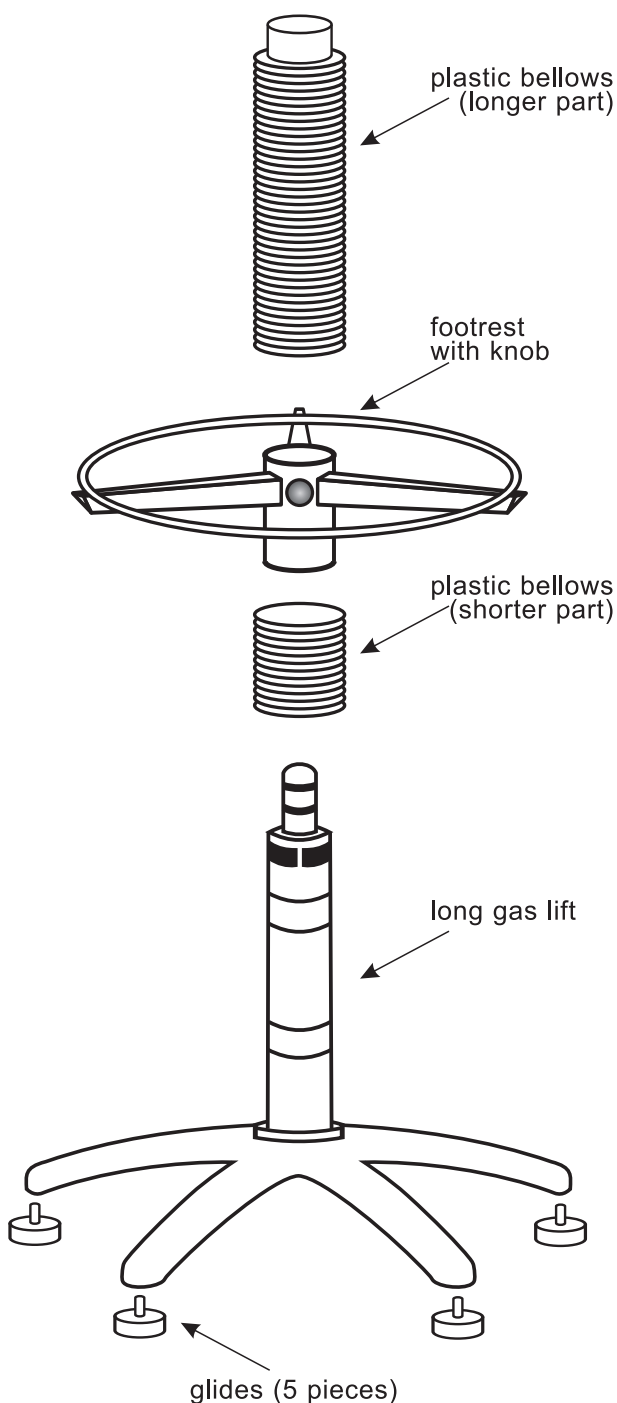
- 1 long gas lift
- 1 footrest
- 2 plastic bellows (one shorter and one longer)
- 5 glides

#### ASSEMBLY

1. Insert glides into base.
2. Insert the long gas lift into the base and pull the plastic bellows A (shorter) over the lift.
3. Slide the footrest over the gas lift and tighten the screw knob. Pull the plastic bellows B (longer) over the lift. The screw knob regulates the footrest height.

#### WARNING

NB: Do not use this RING KIT with castors as to do so would be unsafe & compromise the structure of the chair.



**Please note, the use of castors in conjunction with this conversion kit is dangerous as it will render the chair unstable and will invalidate your warranty.**