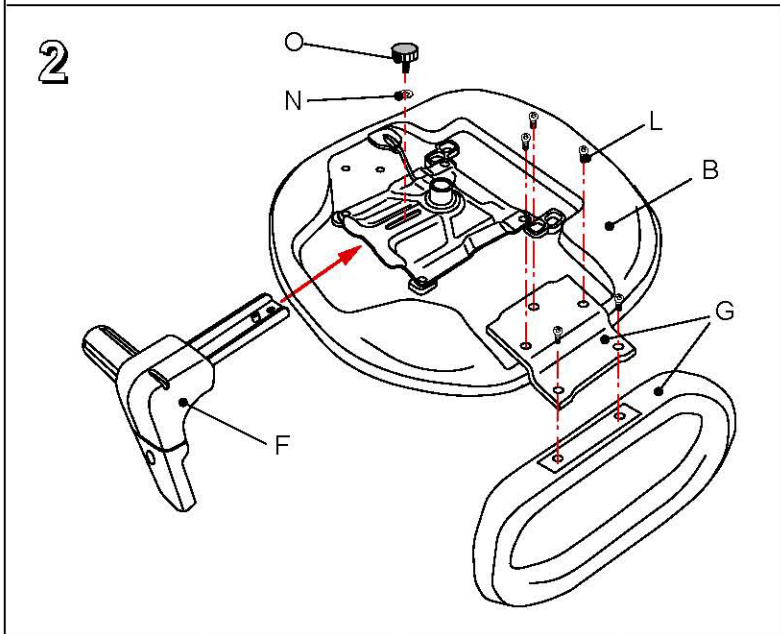
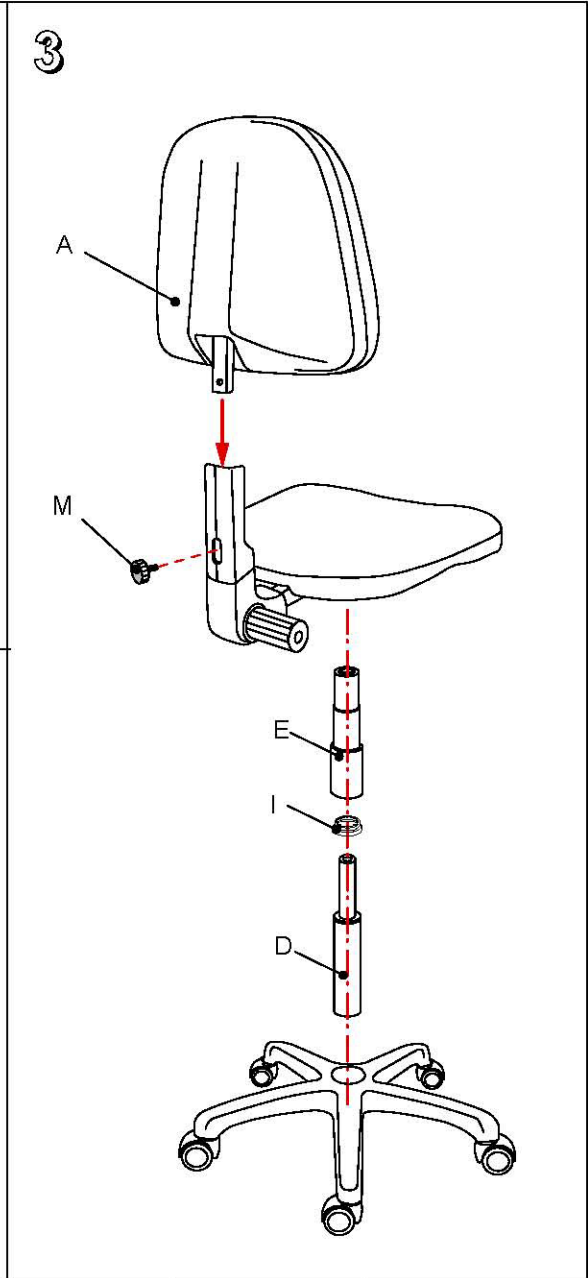
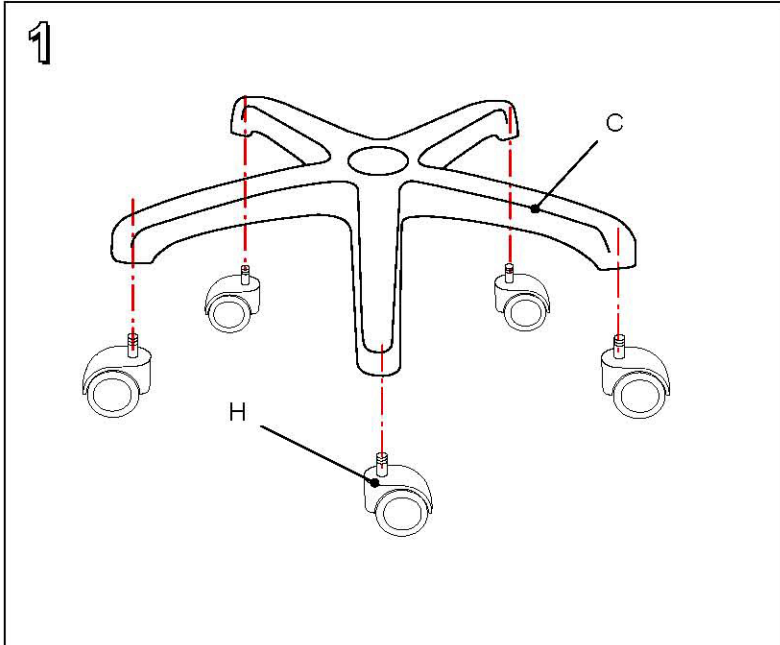




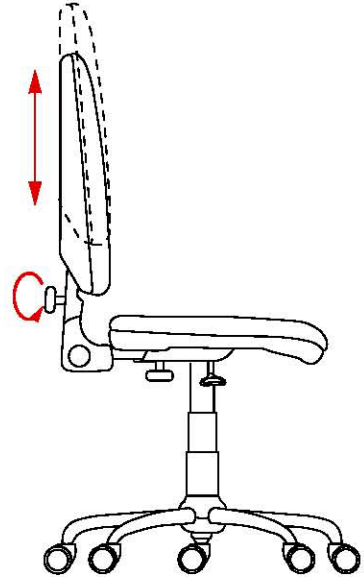
BYRON MED / HIGH PC



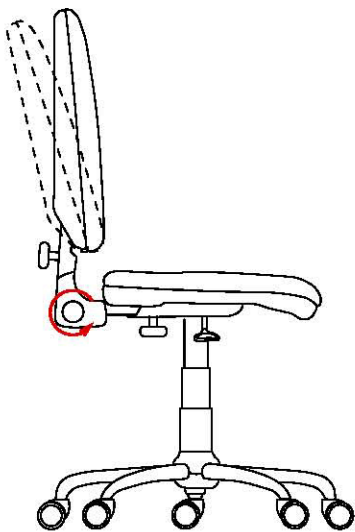
A	B	C	D	E	F	OPTIONAL
x1	x1	x1	x1	x1	x1	x2
H	I	OPTIONAL L	M	N	O	OPTIONAL
x5	x1	x10	x1	x1	x1	x1

*Please do not throw away the packaging until you are completely satisfied with the chair.
 All returns must be made in original packaging.*

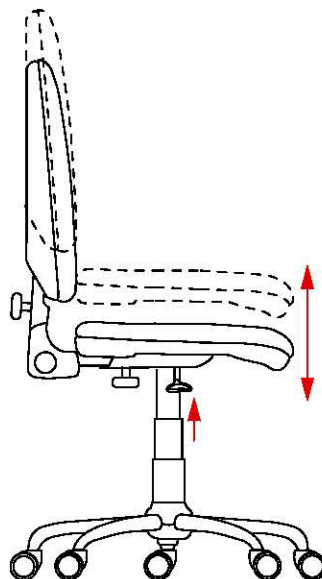
BYRON MED / HIGH PC



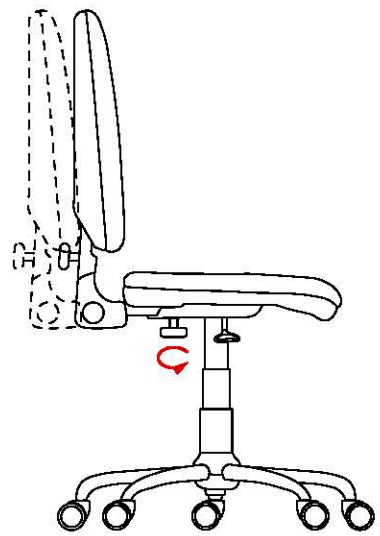
Altezza schienale
Höhenverstellung der Rücken
Règlage hauteur du dossier
Height adjustment of the back



Inclinazione schienale
Neigung der Rücken
Inclination du dossier
Reclining of the back



Altezza seduta
Höhenverstellung dem Sitz
Règlage hauteur du siège
Height adjustment of the seat



Regolazione schienale
Rücken vor und zurück
Règlage du dossier d'avant en arrière
Back and forth adjustment of the back

TEKNIK OFFICE LTD

Phone: 0 1234 328804

Fax: 0 1234 342446

e-mail: CustomerService@teknikoffice.co.uk

RING KIT DELUXE

ASSEMBLY AND ADJUSTMENT INSTRUCTIONS

Before beginning the assembly, check to see that all parts are enclosed.

PART LIST

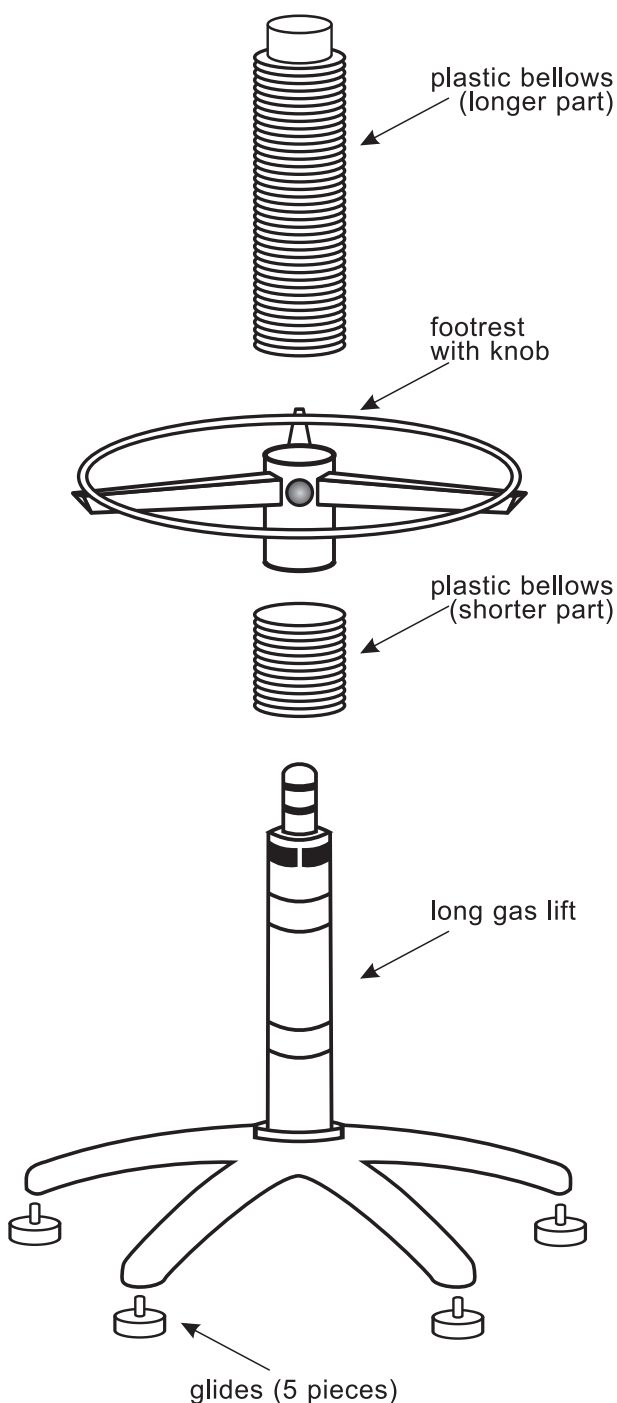
- 1 long gas lift
- 1 footrest
- 2 plastic bellows (one shorter and one longer)
- 5 glides

ASSEMBLY

1. Insert glides into base.
2. Insert the long gas lift into the base and pull the plastic bellows A (shorter) over the lift.
3. Slide the footrest over the gas lift and tighten the screw knob. Pull the plastic bellows B (longer) over the lift. The screw knob regulates the footrest height.

WARNING

NB: Do not use this RING KIT with castors as to do so would be unsafe & compromise the structure of the chair.



Please note, the use of castors in conjunction with this conversion kit is dangerous as it will render the chair unstable and will invalidate your warranty.